





Operating and installation instructions

Fridge freezer



To avoid the risk of accidents or damage to the appliance it is **essential** to read these instructions before it is installed and used for the first time.

Contents

Warning and Safety instructions	5
Caring for the environment	13
How to save energy	14
Guide to the appliance	16
Control panel.....	16
Symbols.....	17
Optional accessories.....	19
Switching on and off	20
Before using for the first time	20
Operating the appliance	21
Switching on.....	21
Switching off.....	22
Switching off the refrigerator section separately	22
Switching the refrigerator section back on again	23
Switching off the appliance in Sabbath mode	23
Switching off for longer periods of time	23
The correct temperature	24
... in the refrigerator section	24
... in the freezer section	24
Temperature display	25
Setting the temperature in the refrigerator / freezer sections.....	25
Using Super cool, Super freeze and Dynamic cooling	27
Super cool function	27
Super freeze function	28
Dynamic cooling function.....	29
Temperature and door alarm	31
Temperature alarm.....	31
Switching the temperature alarm off early	31
Door alarm.....	32
Switching the door alarm off early	32
Selecting further settings	33
Safety lock 	33
Audible tones 	34
Display brightness 	35
Sabbath mode 	36

Storing food in the refrigerator section	38
Different storage zones	38
Food which is not suitable for storage in the refrigerator section	39
When shopping for food.....	39
Storing food correctly.....	39
Fruit and vegetables.....	39
Protein rich food.....	39
Adjusting the interior fittings	40
Adjusting the door shelf / bottle shelf	40
Moving the adjustable shelves / adjustable shelves with lighting.....	40
Adjusting the bottle rack	40
Moving and fitting the bottle holder	41
Removing and replacing the fruit and vegetable drawer.....	41
Replacing the drawer	41
Freezing and storing food	42
Maximum freezing capacity	42
Freezing fresh food.....	42
Storing frozen food.....	42
Home freezing	43
Adjusting the interior fittings.....	46
Using accessories	46
Cool pack	46
Making ice cubes	47
Ice cube maker with integrated ice cube tray	47
Water container	48
Filling the water container	49
Switching the ice cube maker on and off.....	49
Making a large amount of ice cubes	50
Altering the size of the ice cubes	50
Setting the water volume.....	50
Switching the ice cube maker on/off with the On/Off button.....	51
Defrosting	52
Cleaning and care	53
Cleaning agents.....	53
Rinsing the ice cube maker.....	54
Cleaning the ice cube tray.....	56
Preparing the appliance for cleaning.....	57
Cleaning the interior and accessories	59
Cleaning the door seal	60

Contents

Cleaning the ventilation gaps	60
After cleaning	61
Problem solving guide	62
Noises	73
Miele@home	74
After Sales / Guarantee	76
Information for dealers	77
Demo mode ■.....	77
Electrical connection	79
Installation	80
Location.....	80
Climate range	80
Ventilation.....	81
Before installing the appliance	82
Building-in dimensions	84
Limiting the opening angle of the door	85
Changing the door hinging	86
Installing the appliance	90
Fitting the furniture doors	97

Warning and Safety instructions

This appliance complies with all statutory safety requirements. Please note that inappropriate use can lead to personal injury and damage to property.

To avoid the risk of accidents and damage to the appliance, please read these instructions carefully before using it for the first time. They contain important notes on installation, safety, use and maintenance.

Miele cannot be held liable for non-compliance with these instructions.

Keep these instructions in a safe place and ensure that new users are familiar with the contents. Pass them on to any future owner.

Correct application

- ▶ This appliance is intended for use in domestic households and similar working and residential environments. It is not intended for outdoor use.
- ▶ This appliance is intended for domestic use only for cooling and storing food and drink as well as for storing deep frozen food, freezing fresh food and for making ice. Any other usage is not supported by the manufacturer and could be dangerous.
- ▶ This appliance is not suitable for storing and keeping cool medicines, blood plasma, laboratory preparations or other such materials or products. Incorrect use of the appliance for such purposes can cause deterioration of the items stored. The appliance is not suitable for use in areas where there is a risk of explosion. Miele cannot be held liable for damage resulting from improper or incorrect use of the appliance.

Warning and Safety instructions

▶ The appliance can only be used by people with reduced physical, sensory or mental capabilities, or lack of experience and knowledge, if they are supervised whilst using it, or have been shown how to use it in a safe way and recognise and understand the consequences of incorrect operation.

Safety with children

▶ Children under 8 years of age must be kept away from the appliance unless they are constantly supervised.

▶ Children 8 years and older may only use the appliance unsupervised if they have been shown how to use it in a safe way and recognise and understand the consequences of incorrect operation.

▶ Children must not be allowed to clean or maintain the appliance unsupervised.

▶ Please supervise children in the vicinity of the appliance and do not let them play with it.

▶ Danger of suffocation. Packaging, e.g. plastic wrappings, must be kept out of the reach of babies and children. Whilst playing, children could become entangled in packaging or pull it over their head and suffocate.

Technical safety

▶ The coolant system is tested for leaks. This appliance complies with statutory safety requirements and the appropriate EU guidelines.



Warning and Safety instructions

► This appliance contains the coolant Isobutane (R600a), a natural gas which is environmentally friendly. Although it is flammable, it does not damage the ozone layer and does not increase the greenhouse effect.

The use of this coolant has, however, led to a slight increase in the noise level of the appliance. In addition to the noise of the compressor, you might be able to hear the coolant flowing around the system. This is unavoidable, and does not have any adverse effect on the performance of the appliance.

Care must be taken during the transportation and setting up of the appliance that no parts of the cooling system are damaged. Leaking coolant can damage the eyes.

In the event of any damage:

- avoid naked flames or anything which creates a spark,
- disconnect the appliance from the mains electricity supply,
- ventilate the room where the appliance is located for several minutes, and
- contact the Miele Service Department.

► The more coolant there is in an appliance, the larger the room it should be installed in. In the event of a leakage, if the appliance is in a small room, there is the danger of combustible gases building up. For every 8 g of coolant at least 1 m³ of room space is required. The amount of coolant in the appliance is stated on the data plate inside the appliance.

► To avoid the risk of damage to the appliance, make sure that the connection data (fuse rating, frequency and voltage) on the data plate corresponds to the household supply. Check that this is the case before connecting the appliance. Consult a qualified electrician if in any doubt.

► The electrical safety of this appliance can only be guaranteed when correctly earthed. It is essential that this standard safety requirement is met. If in any doubt please have the electrical installation tested by a qualified electrician.

Warning and Safety instructions

- ▶ Reliable and safe operation of this appliance can only be assured if it has been connected to the mains electricity supply.
- ▶ If the electrical connection cable is faulty it must only be replaced by a Miele authorised service technician to protect the user from danger.
- ▶ Do not connect the appliance to the mains electrical supply by a multi-socket adapter or extension lead. These are a fire hazard and do not guarantee the required safety of the appliance.
- ▶ Do not use in a damp or wet environment (e.g. garage or utility room). Moisture could reach live components or the electrical connection and cause a short circuit.
- ▶ This appliance must not be used in a non-stationary location (e.g. on a ship).
- ▶ Do not use a damaged appliance. It could be dangerous. Check the appliance for visible signs of damage.
- ▶ For safety reasons, this appliance may only be used after it has been built in.
- ▶ The appliance must be isolated from the electricity supply during installation, maintenance and repair work.
- ▶ Unauthorised installation, maintenance and repairs can cause considerable danger for the user. Installation, maintenance and repairs must only be carried out by a Miele authorised technician.
- ▶ While the appliance is under guarantee, repairs should only be undertaken by a Miele authorised service technician. Otherwise the guarantee is invalidated.
- ▶ Please note the following advice for ice cube production:
 - Only use cold, fresh tap water to fill the water container. Hot water and other liquids could damage the water container or the ice cube maker.

Warning and Safety instructions

- To produce fresh ice cubes, the water should be changed on a regular basis, and always before switching on the ice cube maker. This will prevent the build-up of mould in the water container.
- Do not use water from a reverse osmosis unit in this appliance. This would damage it.

▶ Miele can only guarantee the safety of the appliance when genuine original Miele replacement parts are used. Faulty components must only be replaced by Miele spare parts.

Correct use

▶ The appliance is designed for use within a certain climate range (ambient temperatures), and should not be used outside this range. The climate range for your appliance is stated on the data plate inside the appliance. Installing it in a room with too low an ambient temperature, e.g. a garage, will lead to the appliance switching off for longer periods so that it cannot maintain the required temperature.

▶ Do not cover or block the air vents as this could impair the efficiency of the appliance, increase the electricity consumption and could cause damage to the components.

▶ If storing food which contains a lot of fat or oil in the appliance or the door, make sure that it does not come into contact with plastic components as this could cause stress cracks or break the plastic.

▶ Do not store explosive materials in the appliance or any products containing propellants (e.g. spray cans). Electrical components could cause flammable vapours to ignite. Danger of fire and explosion.

▶ Do not operate any electrical equipment (e.g. an electric ice cream maker) inside the appliance. Danger of sparking and explosion.

▶ Do not store cans or bottles containing carbonated drinks or liquids which could freeze in the freezer. The cans or bottles could explode.

Danger of injury and damage to the appliance.

Warning and Safety instructions

- ▶ When cooling drinks quickly in the freezer, make sure bottles are not left in for more than one hour; otherwise they could burst, causing injury or damage.
- ▶ Never handle frozen food or the metal parts of the appliance with wet hands. Your hands may freeze to the frozen food or to the metal. Danger of frost burn.
- ▶ Do not take ice cubes out with your bare hands and never place ice cubes or ice lollies in your mouth straight from the freezer. The very low temperature of the frozen ice or lollies can cause frost burn to the lips and tongue.
- ▶ Do not refreeze partially or fully defrosted food. Consume defrosted food as soon as possible, as it will lose its nutritional value and spoil if left for too long. Defrosted food may only be re-frozen after it has been cooked.
- ▶ Observe the manufacturer's "use-by" dates and storage instructions given on food to avoid the risk of food poisoning. Storage times will depend on several factors, including the freshness and quality of the food, as well as the temperature at which it is stored.
- ▶ Only use genuine original Miele accessories and spare parts with this appliance. Using accessories or spare parts from other manufacturers will invalidate the guarantee, and Miele cannot accept liability.

Cleaning and care

- ▶ Do not use any oils or grease on the door seals, as these will cause the seals to deteriorate and become porous with time.
- ▶ Do not use a steam cleaning appliance to clean or defrost this appliance.
Steam could reach electrical components and cause a short circuit.
- ▶ Sharp edged or pointed objects will damage the evaporator, causing irreversible damage to the appliance. Do not use sharp edged or pointed objects to
 - remove frost and ice,
 - separate frozen foods or remove ice trays.
- ▶ Do not place electric heaters or candles in the appliance to defrost it. These can damage the plastic parts.
- ▶ Do not use defrosting sprays or de-icers, as they could contain substances which could damage the plastic parts or which might cause the build-up of gases and pose a danger to health.
- ▶ Rinse the ice cube maker and the water pipes:
 - before using for the first time,
 - if the ice cube maker has not been used for a long time,
 - regularly when in continuous use (at least once a month), to remove ice residues from the system (to avoid a blockage of the water supply) and
 - before switching the ice cube maker off for a long time.
- ▶ Rinse the ice cube maker by filling the water container with hand-hot drinking water only. Do not use hot or boiling water. Do not add any detergents such as washing-up liquid.

Warning and Safety instructions

Transporting the appliance

- ▶ Always transport the appliance in an upright position and in its original transport packaging to avoid damage in transit.
- ▶ Danger of injury and damage. The appliance is very heavy and must be transported by two people.

Disposal of your old appliance

- ▶ Before disposing of an old appliance, first make the door latch or lock unusable.

This way you will prevent children from accidentally locking themselves in and endangering their lives.

- ▶ Splashes of coolant can damage the eyes. Be careful not to damage any part of the pipework whilst awaiting disposal, e.g. by
 - puncturing the coolant channels in the condenser,
 - bending any pipework, or
 - scratching the surface coating.

Symbol on the compressor (depending on model)

This information is only relevant for recycling. In normal operation there is no risk.



- ▶ The oil in the compressor can be fatal if swallowed or if it penetrates the airways.

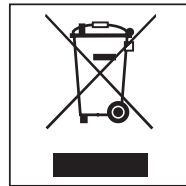
Disposal of the packing material

The packaging is designed to protect the appliance from damage during transportation. The packaging materials used are selected from materials which are environmentally friendly for disposal and should be recycled.

Recycling the packaging reduces the use of raw materials in the manufacturing process and also reduces the amount of waste in landfill sites.

Disposal of your old appliance

Electrical and electronic equipment often contain valuable materials. They also contain materials which, if handled or disposed of incorrectly, could be potentially hazardous to human health and to the environment. They are, however, essential for the correct functioning of your appliance. Please do not therefore dispose of it with your household waste.



Please dispose of it at your local community waste collection / recycling centre.

Take care not to damage the pipework at the back of it before or during transportation to an authorised collection depot.

In this way, coolant in the pipework and oil in the compressor will be contained, and will not leak into the environment.

Please ensure that your old appliance presents no danger to children while being stored awaiting disposal. See "Warning and Safety instructions" for more information.

How to save energy

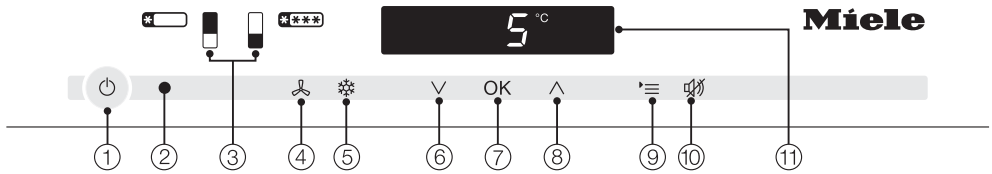
	Normal energy consumption	Increased energy consumption
Installation site / Maintenance	In a ventilated room.	In an enclosed, unventilated room.
	Protected from direct sunlight.	In direct sunlight.
	Not near to a heat source (radiator, oven).	Near to a heat source (radiator, oven).
	Where the ideal ambient room temperature is approx. 20 °C.	Where there is a high ambient room temperature.
	Ventilation gaps uncovered and dusted regularly.	Ventilation gaps covered or dusty.
Temperature setting	Refrigerator section 4 to 5 °C	The lower the temperature, the higher the energy consumption.
	Freezer section -18 °C	

How to save energy

	Normal energy consumption	Increased energy consumption
Use	Drawers and shelves arranged as they were when the appliance was delivered.	
	Only open the door when necessary and for as short a time as possible. Store food in an organised way.	Frequent opening of the door for long periods will cause a loss of coldness. The appliance will cool down and the compressor will run for longer periods.
	Take an insulated cool bag when shopping and load food in the appliance as soon as possible. Replace any food removed as quickly as possible, before it begins to thaw. Allow hot food and drinks to cool down before placing them in the appliance.	Hot food or food at room temperature raises the temperature inside the appliance. The appliance will cool down and the compressor will run for longer periods.
	Store food covered or packaged.	The evaporation or condensation of liquids will cause a loss of coldness.
	Place frozen food in the refrigerator to defrost.	
	Do not over-fill the appliance to allow air to circulate.	Poor air circulation will cause a loss of coldness.







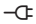


Guide to the appliance

Control panel

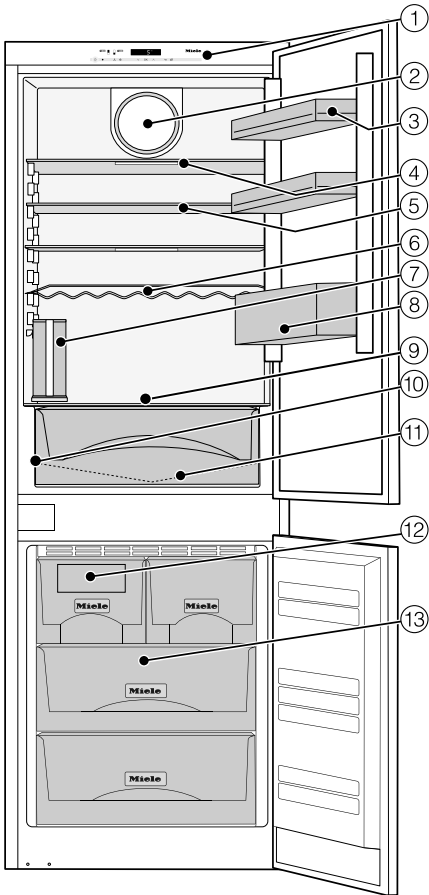


- ① On/Off sensor for the whole appliance
- ② Optical interface (for Service technicians only)
- ③ For selecting the refrigerator and freezer sections
- ④ On/Off sensor for the Dynamic cooling function (automatic temperature distribution)
- ⑤ On/Off sensor for the Super cool and Super freeze functions
- ⑥ For setting the temperature (∨ = colder) Selector sensor in settings mode
- ⑦ OK sensor for confirming a selection
- ⑧ For setting the temperature (∧ = warmer) Selector sensor in settings mode
- ⑨ Sensor for accessing or leaving settings mode
- ⑩ For switching off the temperature or door alarm
- ⑪ Display with temperature and symbols (symbols only visible in settings mode, in the event of an alarm/message; see table for explanation of symbols)

Symbols

Symbol	Meaning	Function
	Safety lock	Prevents the appliance being switched off, the temperature being altered, Dynamic cooling, Super cool and Super freeze being switched on and settings being altered by mistake.
	Ice cube maker	For switching the ice cube maker on and off; for setting the water volume; for rinsing the ice cube maker; for setting the cleaning position of the ice cube tray; flashes if there is a fault with the ice cube maker
	Audible tones	Choice of sensor tone and door and temperature alarm tone
	Miele@home	Only visible when a communication module or communication stick is fitted and signed on (see "Miele@home")
	Display brightness settings	For adjusting the brightness of the display
	Sabbath mode	For switching Sabbath mode on and off
	Mains connection	Confirms that the appliance is connected to the electricity supply when it is not switched on; flashes in the event of a power cut
	Alarm	Lights up when there is a door alarm; flashes when there is a temperature alarm, power cut or a fault
	Demo mode (only visible when Demo mode is switched on)	For switching off Demo mode

Guide to the appliance



- ① Control panel
- ② Fan
- ③ Door shelf / Egg tray
- ④ Adjustable shelf with lighting (FlexiLight)
- ⑤ Adjustable shelf
- ⑥ Bottle rack
- ⑦ Water container
- ⑧ Bottle shelf
- ⑨ Condensate channel and drain hole
- ⑩ Interior lighting
Fruit and vegetable drawer
- ⑪ Fruit and vegetable drawer
- ⑫ Ice cube drawer with automatic ice cube maker
- ⑬ Freezer drawers

Optional accessories

A range of useful Miele accessories and care products are available for your appliance.

Stainless steel care

The **stainless steel cleaning cloth** is impregnated with stainless steel conditioner for optimum cleaning and protection.

Each application of the **stainless steel conditioner** (supplied in a bottle) forms a water and dirt repellent protective coating. It gently removes water marks, fingerprints and other dirt for a uniformly shiny surface.

Multi-purpose microfibre cloth

The microfibre cloth is suitable for removing fingerprints and light soiling from surfaces such as stainless steel, glass, plastic and chrome without the use of chemicals.

Bottle rack

The appliance is supplied with a bottle rack for the refrigerator section. Additional bottle racks can be fitted if required.

Accessories are available to order via the Miele Webshop, from Miele directly (see back cover for contact details) or from your Miele dealer.

Switching on and off

Before using for the first time

Packaging material

- Remove all packaging material from the inside of the appliance.

Protective foil

The stainless steel trim to the interior shelves and the door shelves has a layer of protective foil to prevent scratching during transportation.

- Carefully remove the protective foil from the stainless steel trim.

Cleaning and care

Please refer to the relevant instructions in "Cleaning and care".

Tip: We recommend treating stainless steel surfaces with Miele stainless steel conditioning agent immediately after removing the protective foil, (see "Guide to the appliance - Optional accessories").

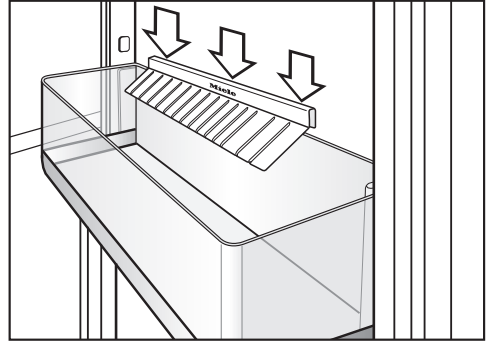
Important. Each time it is used, the Miele stainless steel conditioning agent forms a water and dirt repellant protective coating.

- Clean the inside of the appliance and the accessories.
- Clean the ice cube maker: after selecting the "Rinse ice cube maker" setting the ice cube maker and the water supply pipework will be rinsed automatically.

Accessories

- Bottle holder

The flexible ribs grip the bottles securely when the door is opened and closed.



- Attach the bottle holder centrally along the rear edge of the bottle shelf, as shown.

- Cool pack

- Place the cool pack in the top freezer drawer.


The cool pack will be at its most effective after it has been in the freezer for approx. 24 hours.

Operating the appliance

A light touch of the finger on the sensors is all that is required to operate this appliance.


A tone will sound each time a sensor is touched. You can deactivate this, if you wish (see "Selecting further settings - Audible tones").

Switching on

When the appliance is connected to the electrical supply, the mains connection symbol  will appear in the display after a short while.



■ Touch the On/Off sensor.


The mains connection symbol  goes out and the appliance starts to cool down.


The sensors for the refrigerator and freezer sections will appear in the control panel:



The refrigerator section sensor is highlighted in yellow and the current temperature in the refrigerator appears in the display.

When the refrigerator door is open, the interior lighting will come on and the adjustable shelf LED lighting will become brighter until it has reached its maximum brightness.

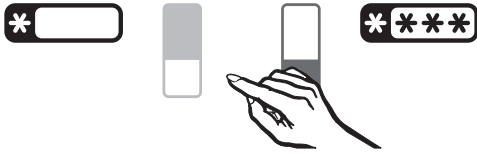
When the appliance is switched on for the first time, the sensors for the freezer section and the alarm symbol  will flash until the set temperature is reached.

When the set freezer temperature is reached, the sensor for the freezer section lights up constantly and the alarm symbol  goes out.

To enable the temperature to get sufficiently cold inside the appliance, allow the appliance to run for a few hours before placing food in it. Do not place food in the freezer section until the temperature is at least $-18\text{ }^{\circ}\text{C}$.

Switching on and off

Individual settings can be set for each section.



- Touch the sensor for the section you want to adjust the settings for.

The sensor that has been selected is highlighted in yellow.

You can now select the Super cool and Dynamic cooling functions or adjust the temperature for the **refrigerator section**.

You can now select the Super freeze function or adjust the temperature for the **freezer section**.

Please refer to the relevant section for more information.

If the other section is then selected, the settings for the previously selected zone will be kept.

Switching off



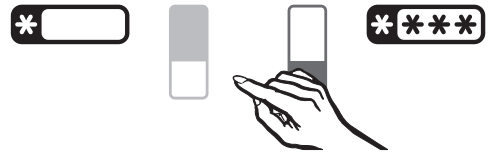
- Touch the On/Off sensor.
If this does not work, the safety lock is still activated.

The temperature display will go out and the mains connection symbol $\text{—}\text{G}$ will appear.

The interior lighting will go out and the cooling process will be switched off.

Switching off the refrigerator section separately

The refrigerator section can be switched off without having to switch off the freezer section. This is useful, e.g. whilst on holiday.

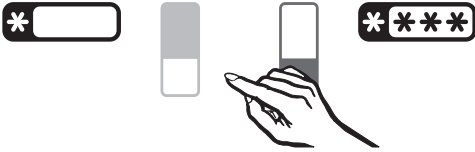


- Touch the sensor for the refrigerator section so that it is no longer highlighted.

Dashes will appear briefly in the display.

Switching the refrigerator section back on again

The refrigerator section can also be switched back on again separately.



- Touch the sensor for the refrigerator section so that it is highlighted in yellow again.

The temperature display for the refrigerator section lights up. The refrigerator section starts to cool and the interior lighting comes on when the door is opened.

Switching off the appliance in Sabbath mode

The appliance can be switched off directly at any time.



- Touch the On/Off sensor.

The temperature display will go out and the mains connection symbol ⏏ will appear.

The interior lighting will go out and the cooling process will be switched off.

When the appliance is switched back on again, Sabbath mode is deactivated.

Switching off for longer periods of time

⚠ If, during a long absence, the appliance is switched off but not cleaned and the door(s) left shut, there is a danger of mould building up inside the appliance. It is essential to clean the appliance.

If the appliance is not going to be used for a longer period of time, e.g. whilst on holiday:

- switch the appliance off,
- disconnect it from the mains,
- empty the ice cube drawer,
- take the water container out of the appliance, empty it, then clean and dry it,
- clean the appliance and
- leave the door(s) ajar to air the appliance and avoid odours building up inside the appliance.

It is also advisable to carry out the last two instructions if you are switching the refrigerator section off for a longer period of time.

The correct temperature

It is very important to set the correct temperature for storing food in the appliance. Micro-organisms will cause food which is not stored at the correct temperature to deteriorate rapidly. Temperature influences the growth rate of these micro-organisms. Reducing the temperature reduces their growth rate.

The temperature in the appliance will rise:

- the more often the door is opened and the longer it is kept open,
- the more food that is stored in it,
- the warmer the food is which is being put into it,
- the higher the ambient temperature surrounding the appliance. The appliance is designed for use within specific ambient temperatures (climate range). Do not use in ambient temperatures for which it is not designed.

. . . in the refrigerator section

We recommend a temperature of **4 °C** in the refrigerator section.

. . . in the freezer section

To freeze fresh food and to store frozen food for a long time, a temperature of **-18 °C** is required. At this temperature the growth of micro-organisms is generally halted. As soon as the temperature rises above -10 °C, the micro-organisms become active in the food again so that it cannot be kept as long. For this reason, partially defrosted or fully defrosted food must not be re-frozen. Food may be re-frozen once it has been cooked, as the high temperatures achieved when cooking destroy most micro-organisms.


The correct temperature

Temperature display

In normal operation the display shows the **average, current temperature in the refrigerator section** and the temperature **in the warmest area of the freezer section**.

If the temperature in the freezer section is not within the normal temperature display range, dashes will flash in the display.

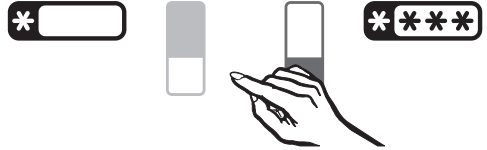
Depending on the ambient temperature and the temperature setting, it can take the appliance a few hours to reach the temperature required and for this temperature to then be shown as a constant temperature in the display.

 If the temperature in the freezer remains above $-18\text{ }^{\circ}\text{C}$ for a long time, check that the frozen food has not started to defrost.

If it has, check that the food is safe to use and if it is, then use it as soon as possible or cook it before freezing it again.

Setting the temperature in the refrigerator / freezer sections

The temperatures for the refrigerator and freezer sections are set independently of one another.



- Select the refrigerator or the freezer section.
- Use the two sensors underneath the display to set the temperature.

By touching the sensor



- the temperature will get colder



- the temperature will get warmer.

The temperature being set will flash in the display.

The correct temperature

The following information shows in the display while the sensors are being touched:

- Touching a sensor once: the **last temperature selected** flashes.
- Each subsequent touch of the sensor: adjusts the temperature shown in 1 °C steps.
- Leaving a finger on the sensor changes the temperature continuously.

Approximately 5 seconds after the last time a sensor has been touched, the **current** temperature inside the appliance is automatically shown.

Or

- Touch the OK sensor to confirm your selection.

If you have adjusted the temperature, **wait for approx. 6 hours if the appliance is not very full and for approx. 24 hours if the appliance is full** before checking the temperature display, as it will take this long for the appliance to give an accurate reading.

- If, after this time, the temperature is still too high or too low, you will need to adjust it again.

Temperature range

The temperature can be adjusted:

- in the refrigerator section from 1 °C to 9 °C
- in the freezer section from -15 °C to -26 °C.

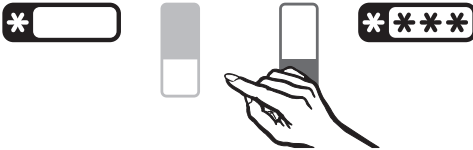
Using Super cool, Super freeze and Dynamic cooling

Super cool function

The Super cool function can be used to rapidly reduce the temperature in the refrigerator section to its lowest setting (depending on the room temperature).

Switching on Super cool

Super cool is particularly recommended for the rapid chilling of large amounts of fresh food or drink.



- Touch the sensor for the refrigerator section.

The symbol for the refrigerator section is highlighted in yellow.



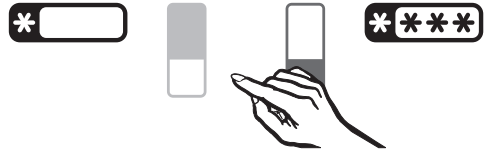
- Touch the Super cool sensor so that it is highlighted in yellow.

The appliance will work at full power to lower the temperature in the refrigerator section.

Switching off Super cool

The Super cool function switches off automatically after approx. 12 hours. The appliance will then continue to work at normal power.

To save energy, the Super cool function can be switched off once food and drinks are sufficiently chilled.



- Touch the sensor for the refrigerator section.

The symbol for the refrigerator section is highlighted in yellow.



- Touch the Super cool sensor so that it is no longer highlighted in yellow.

The appliance will continue running at normal power.

Using Super cool, Super freeze and Dynamic cooling

Super freeze function

Switch on Super freeze before putting fresh food into the freezer.

This helps food to freeze quickly and retain its nutrients, vitamins, flavours and appearance.

Super freeze is not necessary:

- when placing food in the freezer that is already frozen.
- when freezing up to 2 kg fresh food daily.

Switching on Super freeze

When freezing small quantities of food in the freezer, the Super freeze function should be switched on **6 hours beforehand**. When freezing the **maximum load of food**, the Super freeze function should be switched on **24 hours beforehand**.



- Touch the sensor for the freezer section.


The symbol for the freezer section is highlighted in yellow.



- Touch the Super freeze sensor so that it is highlighted in yellow.

The appliance will work at full power to lower the temperature in the freezer section.

Switching off Super freeze

The Super freeze function will switch itself off automatically after approx. 30 - 65 hours. The quantity of fresh food placed in the freezer will determine the duration before the Super freeze function switches off. The Super freeze  symbol will go out and the appliance will run at normal power again.

To save energy, the Super freeze function can be switched off once a **constant** temperature of -18 °C is reached inside the freezer. Check the temperature inside the appliance.



- Touch the sensor for the freezer section.

The symbol for the freezer section is highlighted in yellow.



- Touch the Super freeze sensor so that it is no longer highlighted in yellow.

The appliance will continue running at normal power.

Using Super cool, Super freeze and Dynamic cooling

Dynamic cooling function

When the Dynamic cooling function is not switched on, the natural circulation of air in the appliance will cause different temperature zones in the refrigerator as the cold, heavy air will sink to the lowest section of the appliance. You should bear this in mind when placing food in the appliance (see "Storing food in the refrigerator section").

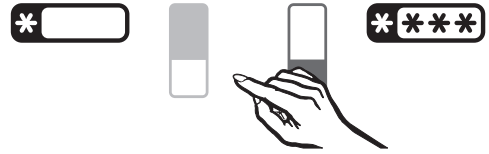
However, if you are placing a large amount of food in the refrigerator at any one time, it is a good idea to switch on Dynamic cooling. This way you can distribute the temperature inside the appliance to all areas more evenly so that all the food will be chilled to about the same degree.

The temperature is set as normal with the temperature control.

Dynamic cooling should also be selected when:

- the ambient temperature in the room is high (above approx. 30 °C), and
- the room humidity level is high.

Switching on Dynamic cooling



- Touch the sensor for the refrigerator section.

The symbol for the refrigerator section is highlighted in yellow.

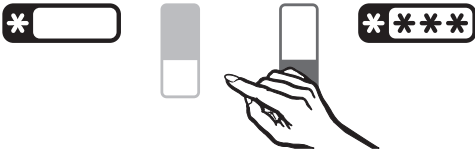


- Touch the Dynamic cooling sensor so that it is highlighted in yellow.

The fan is ready: when the compressor switches on, the fan also switches on automatically.

Using Super cool, Super freeze and Dynamic cooling

Switching off Dynamic cooling



- Touch the sensor for the refrigerator section.

The symbol for the refrigerator section is highlighted in yellow.




- Touch the Dynamic cooling sensor so that it is no longer highlighted in yellow.

To save energy, the fan switches off automatically whilst the door is open.

Temperature and door alarm

The appliance has been fitted with a warning system which ensures that the temperature in the freezer cannot rise unnoticed and to avoid energy being wasted if the door is left open.


Temperature alarm


If the temperature in the freezer section becomes too warm, the sensor for the freezer section will flash and at the same time the alarm symbol  will flash in the display. An alarm will also sound.

The temperature the appliance is set at determines the temperature the appliance recognises as being too warm.

Audible and visual signals will be activated, for example,

- when the appliance is switched on if the temperature in the appliance differs greatly from the set temperature,
- if a lot of room air enters the freezer when food is being loaded, re-arranged or taken out,
- when freezing large amounts of food at once,
- when freezing fresh food which is still warm,
- in the event of a power cut,
- if the appliance has a fault.

The alarm will stop and the the alarm symbol  will go out when the temperature reaches the correct level again. The sensor for the freezer section will light up again constantly.

 If the temperature in the freezer remains above -18°C for a long time, check that the frozen food has not started to defrost.

If it has, check that the food is safe to use and if it is, then use it as soon as possible or cook it before freezing it again.


Switching the temperature alarm off early

If the noise disturbs you, you can switch the alarm off if you wish.



- Touch the sensor for switching off the temperature alarm.


The alarm will stop.

The freezer section sensor on the control panel and the alarm symbol  will continue to flash until the temperature is at the correct level.


Temperature and door alarm

Door alarm

The appliance is fitted with a warning system to avoid increased energy consumption and food becoming warm if the door is left open.

The alarm will sound if the door is left open for a long time. The alarm symbol  will light up.

The period of time before the door alarm sounds is 2 minutes (default setting) or 4 minutes, depending on the setting selected. The door alarm can also be switched off (see "Selecting further settings - Audible tones").

The alarm will stop and the alarm symbol  will go out as soon as the door is closed.


If the audible tone does not sound in the event of a door alarm, then the audible tone has been switched off in settings mode (see "Selecting further settings - Audible tones").

Switching the door alarm off early

If the noise disturbs you, you can switch the alarm off if you wish.




- Touch the sensor for switching off the door alarm.






The alarm sound will stop.
The alarm symbol  will continue to be lit up until the door is closed.

Selecting further settings

Certain settings on the appliance can only be selected in settings mode.

When in settings mode, the door alarm and other fault messages are automatically deactivated although the alarm symbol  appears in the display.

Available settings

	Activating or deactivating the safety lock
	Switching ice cube maker on and off (setting the water volume; rinsing the ice cube maker; adjusting the cleaning setting for the ice cube tray)
	Switching audible tones on/off
	Altering the display brightness
	Switching Sabbath mode on/off

The settings available for the **ice cube maker** are described in "Making ice cubes" and "Cleaning and care".

The other further settings are described in more detail below.

Safety lock

The safety lock can be activated to prevent:


- the appliance being switched off by mistake,
- the temperature being changed by mistake,
- the Dynamic cooling, Super cool and Super freeze functions being selected by mistake,
- settings being adjusted by mistake (it is only possible to deactivate the lock).

This prevents the appliance being switched off or settings adjusted without your knowledge, by children, for example.

Activating or deactivating the safety lock




- Touch the settings sensor.

All symbols available for selection will appear in the display and the  symbol flashes.



- Touch the OK sensor to confirm your selection.

The last selected setting flashes and the  symbol lights up in the display.

Selecting further settings



- By touching the \wedge or \vee sensor, you can now select whether the safety lock is activated or deactivated:
 \sqcup : the safety lock is deactivated
 \intercal : the safety lock is activated



- Touch the OK sensor to confirm your selection.

The selected setting is applied, the \sqcup symbol flashes.



- Touch the settings sensor to leave settings mode. Otherwise the appliance exits settings mode automatically after approximately one minute.

The \sqcup symbol will appear in the display when the lock is activated.

Audible tones ♪♪

The appliance has audible tones such as the sensor tone and the door and temperature alarms.

You can switch the sensor tone or the door alarm tone on or off but you cannot deactivate the temperature alarm.

There are four settings to choose from. Option 3 is set the factory, i.e. the sensor tone and the door alarm are switched on.

Switching audible tones on/off



- Touch the settings sensor.

All symbols available for selection will appear in the display and the \sqcup symbol flashes.



- Touch the sensors for setting the temperature (\wedge or \vee) repeatedly until the ♪♪ symbol flashes.



- Touch the OK sensor to confirm your selection.

The last selected setting flashes and the ♪♪ symbol lights up in the display.

Selecting further settings



- By touching the \wedge or \vee sensor you can now select:

$\bar{0}$: sensor tone off; door alarm off

1 : sensor tone off; door alarm on (after 4 minutes)

2 : sensor tone off; door alarm on (after 2 minutes)

3 : sensor tone on; door alarm on (after 2 minutes)



- Touch the OK sensor to confirm your selection.

The selected setting is applied, the ♪♪ symbol flashes.



- Touch the settings sensor to leave settings mode. Otherwise the appliance exits settings mode automatically after approximately one minute.

Display brightness ☀

The display brightness can be adjusted to suit lighting conditions in the room.

The display brightness can be adjusted in steps from 1 to 3 . The factory default setting is 3 (maximum brightness).

Altering the display brightness



- Touch the settings sensor.

All symbols available for selection will appear in the display and the 🔒 symbol flashes.



- Touch the sensors for setting the temperature (\wedge or \vee) repeatedly until the ☀ symbol flashes.



- Touch the OK sensor to confirm your selection.

The last selected setting flashes and the ☀ symbol lights up in the display.


Selecting further settings



- By touching the \wedge or \vee sensor you can now alter the brightness of the display:
1: dimmest setting
2: medium setting
3: brightest setting.



- Touch the OK sensor to confirm your selection.

The selected setting is applied, the  symbol flashes.



- Touch the settings sensor to leave settings mode. Otherwise the appliance exits settings mode automatically after approximately one minute.

Sabbath mode

The appliance offers a Sabbath mode for the purposes of religious observance.

The following are switched off:

- the interior lighting when the door is opened,
- all audible and visual signals,
- the temperature display,
- the Dynamic cooling, Super cool, or Super freeze functions (if previously selected),
- the ice cube maker (if previously switched on),

The following can be selected:

- the settings sensor for switching off Sabbath mode
- and the On/Off sensor.

The Sabbath mode function will switch itself off automatically after approx. 120 hours.

Ensure that the doors are properly closed, as visual and audible alarms are switched off.


Any power failure during this time is not shown in the display. After a power failure, the appliance restarts in Sabbath mode.

Selecting further settings


Switching on Sabbath mode



- Touch the settings sensor.


All symbols available for selection will appear in the display and the  symbol flashes.



- Touch the sensors for setting the temperatures (\wedge or \vee) repeatedly until the  symbol flashes.



- Touch the OK sensor to confirm your selection.


The last selected setting flashes and the  symbol lights up in the display.




- By touching the \wedge or \vee sensor you can now switch on Sabbath mode. To do this, select setting 1



- Touch the OK sensor to confirm your selection.

The selected setting is applied, the  symbol lights up.

As soon as the  symbol goes out in the display after 3 seconds, Sabbath mode is switched on.

- Switch off Sabbath mode after the Sabbath has passed.

Switching off Sabbath mode



- Touch the settings sensor to leave Sabbath mode.

The temperature will appear in the display and the interior lighting will come on.

Storing food in the refrigerator section



Danger of explosion.

Do not store explosive materials in the appliance or any products containing propellants (e.g. spray cans).



If storing food which contains a lot of fat or oil in the appliance or the appliance door, make sure that it does not come into contact with plastic components as this could cause stress cracks or break the plastic.

Different storage zones

Due to natural air circulation there are different temperature zones in the refrigerator section.

Cold, heavy air sinks to the lowest section of the appliance. Make use of the different temperature zones when placing food in the appliance.

To allow air to circulate efficiently, do not pack food too closely together in the refrigerator.

Do not cover the fan in the rear wall of the refrigerator, as this is essential for keeping the appliance cool.

Food must not touch the back of the refrigerator section as it may freeze to the back wall.

This appliance has Dynamic cooling, which helps to keep an even temperature when the fan is running, making the difference between the various zones less pronounced.

Warmest area

The warmest area in the refrigerator section is at the top in the front area and in the door. Use this for storing butter and cheese.

Coldest area

The coldest area is directly above the fruit and vegetable drawer(s) and at the back of the appliance.

Use this for all delicate and highly perishable food, e.g.

- fish, meat, poultry,
- sausage products, ready meals,
- dishes or baked goods containing eggs or cream,
- fresh dough, cake mixtures, pizza or quiche dough,
- soft cheese and other dairy products,
- pre-packed vegetables and other fresh food with a label stating it should be kept at a temperature of approx. 4 °C.

Storing food in the refrigerator section

Food which is not suitable for storage in the refrigerator section

Not all food is suitable for refrigeration at temperatures below 5°C as some food is sensitive to cold. The appearance, consistency, taste and / or the vitamin content of certain types of food can be adversely affected by being stored in too cold a place.

Food which does not tolerate cold temperatures includes:

- Pineapples, avocados, bananas, pomegranates, mangoes, melons, papayas, passion fruit, citrus fruits (such as lemons, oranges, mandarins, grapefruit),
- Fruit which is not yet ripe
- Aubergines/eggplant, cucumbers, potatoes, peppers/capsicum, tomatoes, courgettes/zucchini,
- Some hard cheeses, e.g. Parmesan.

When shopping for food

The freshness of food when first placed in the appliance is the most important factor in determining how long it stays fresh, and how long it can be kept in the appliance.

Always observe the use-by date and the recommended storage temperature. Time out of the refrigerator should be kept to a minimum, for example, when transporting food in a hot car.

Tip: Take a cool bag with you when shopping and on return place food into the appliance immediately.

Storing food correctly

Food should generally be stored **covered or packaged** in the refrigerator section. This will prevent food smells from affecting other food, food from drying out, and also any cross-contamination of bacteria. This is especially important for storing protein-based food such as meat or fish. The growth of bacteria, such as salmonella, can be avoided by setting the correct temperature and maintaining good standards of hygiene.

Fruit and vegetables

Fruit and vegetables can be stored loose in the fruit and vegetable drawer(s).

Protein rich food

Please note that food rich in protein deteriorates faster than other types of food. Shellfish, for example, deteriorates faster than fish, and fish deteriorates faster than meat.

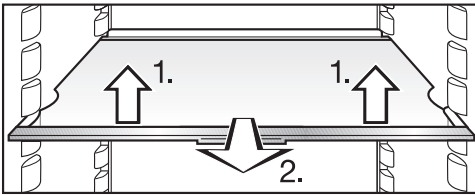
Adjusting the interior fittings

Adjusting the door shelf / bottle shelf

- Push the door/bottle shelf upwards, then remove it by pulling it forwards
- Replace the door/bottle shelf at the required position. Ensure that it is securely pushed back into position.

Moving the adjustable shelves / adjustable shelves with lighting

The shelves can be adjusted according to the height of the food.



- Raise the shelf, and pull it forwards slightly until the notch at the side is in line with the shelf support. It can then be raised or lowered to the required level.
- Push the shelf in until it clicks into position.

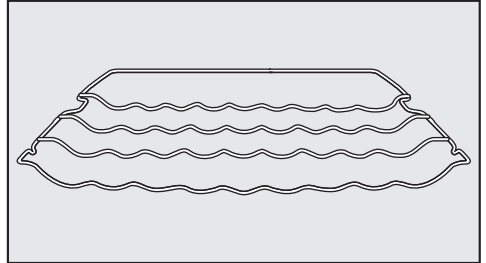
The raised edge at the back must face upwards to prevent food from touching the back of the appliance and freezing to it.

Stoppers prevent the shelves from being dislodged by mistake.

Adjustable shelves with lighting

The LED lighting is located in the stainless steel trim of the adjustable shelves. You can illuminate the refrigerator section as you wish by moving the shelves.

Adjusting the bottle rack



The bottle rack can be placed at different positions in the appliance.

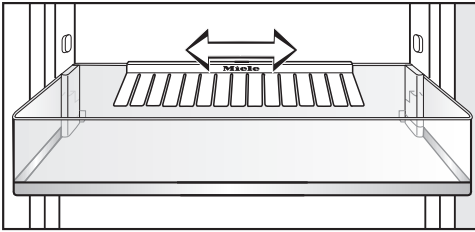
- Raise the bottle rack slightly at the front, and pull it forwards a little until the notch at the side is in line with the shelf support. It can then be raised or lowered to the required level.

The rear rail must face upwards to prevent bottles from touching the back of the appliance.

Stoppers prevent the bottle rack from being dislodged by mistake.

Adjusting the interior fittings

Moving and fitting the bottle holder



The bottle holder can be moved left or right to create more room for drink cartons.

The bottle holder can be removed completely (e.g. for cleaning):


- Pull the bottle holder upwards to remove it from the rear edge of the bottle shelf.

The bottle holder can be replaced after cleaning.

Removing and replacing the fruit and vegetable drawer

The fruit and vegetable drawer is on telescopic runners and can be removed for filling, emptying or cleaning purposes.

- Pull out the drawer as far as it will go, and then lift it up and out.

 Push the runners back in again to avoid damaging them.

Replacing the drawer

- Push the runners in completely and then place the drawer on them.
- Push the drawer into the appliance until it clicks into position.

Freezing and storing food

Maximum freezing capacity

To ensure that fresh food placed in the freezer freezes through to the core as quickly as possible, the maximum freezing capacity must not be exceeded. The maximum freezing capacity for freezing within a 24-hour period is given on the data plate: "Freezing capacitykg/24 hrs".

The maximum freezing capacity given on the data plate has been calculated according to DIN EN ISO 15502 Standard.

Freezing fresh food

Fresh food should be frozen as quickly as possible. This way the nutritional value of the food, its vitamin content, appearance and taste are not impaired.


Food which takes a long time to freeze will lose more water from its cells, which then shrink. During the defrosting process, only some of this water is reabsorbed by the cells; the rest collects around the food.

If food is frozen quickly, the cells have less time to lose moisture, so they shrink less. As there is not so much moisture loss, it is easier for the food to reabsorb it during the defrosting process, and very little water collects around the defrosted food.

Storing frozen food

When buying frozen food to store in your freezer, check

- that the packaging is not damaged,
 - the use-by date,
 - the temperature at which the frozen food is being stored in the shop. The length of time it can be kept is reduced if it has been stored at a temperature warmer than -18 °C.
- Buy frozen food once you have finished the rest of your shopping, and wrap it in newspaper or use a cool bag or cool box to transport it.
 - Store it in the freezer as soon as possible.

 Never re-freeze partially or fully defrosted food. Consume defrosted food as soon as possible as it will lose its nutritional value and spoil if left for too long. Defrosted food may only be re-frozen after it has been cooked.

Home freezing

Only freeze fresh food which is in a good condition.

Hints on home freezing

- The following types of food **are suitable** for freezing:
Fresh meat, poultry, game, fish, vegetables, herbs, fresh fruit, dairy products, cakes, leftovers, egg yolks, egg whites and a range of pre-cooked meals.
- The following types of food **are not suitable** for freezing:
Grapes, lettuce, radishes, sour cream, mayonnaise, eggs in their shells, onions, whole raw apples and pears.
- To retain colour, taste, aroma and vitamin C, vegetables should be blanched after they have been trimmed and washed. To blanch: bring a large saucepan of water to the boil, immerse the vegetables in the fast boiling water for 2 - 3 minutes, depending on variety. Remove, and plunge into ice-cold water to cool quickly. Drain and pack ready for freezing.
- Lean meat freezes better than fatty meat, and can be stored for considerably longer.
- To prevent chops, steaks, cutlets or rolled meat from freezing together in solid blocks when packed, separate with a sheet of plastic freezer film.
- Do not season fresh foods or blanched vegetables before freezing. Only season cooked food lightly

before freezing, but care should be taken as the taste of some spices alters when frozen.

- Placing hot foods or drinks in the freezer causes food that is already frozen to partially thaw and increases energy consumption. Allow hot foods and drinks to cool down before placing them in the freezer.

Packaging

- Freeze food in portions.

Suitable packing material

- plastic freezer film
- freezer bags
- aluminium foil
- freezer containers

Unsuitable packing material

- wrapping paper
- grease-proof paper
- cellophane
- bin bags
- plastic carrier bags
- Expel as much air as possible from the packaging.
- Close the packaging tightly with
 - rubber bands
 - plastic clips
 - string or bag ties
 - freezer tape.

Tip: Freezer bags may also be sealed using home heat sealing kits.


Freezing and storing food

- Make a note of the contents and the date of freezing on the packaging.

Before placing food in the freezer section

- When freezing more than 2 kg of fresh food, switch on the Super freeze function some time before placing food in the freezer (see "Using Super cool and Super freeze - Super freeze"). This helps food which is already stored in the freezer to remain frozen.

Placing food in the freezer section

 The following maximum loading weights must not be exceeded:

- freezer drawer = 25 kg
- glass cold plate = 35 kg

Unfrozen food should not touch frozen food as this will cause frozen food to begin to thaw.

- Make sure that the packaging and containers are dry to prevent them sticking together when frozen.

- Freezing small amounts of food

Place the food in the upper freezer drawers.

- Place the food flat in the bottom of the freezer drawer so that it freezes through to the core as quickly as possible.

- Freezing the maximum amount (see data plate)

Ensure ventilation slots at the back of the freezer section are always free from obstruction.

If the ventilation slots are blocked the cooling performance will decrease and energy consumption will increase.

Place food on the glass plate in such a way that the ventilation slots are not blocked.

Please note that when removing the drawers, the lowest freezer drawer must always remain in the freezer.

- Remove the upper freezer drawers.
- Place the food flat on the upper glass cold plates so that it freezes through to the core as quickly as possible.

Once frozen:

- Place the frozen food in the freezer drawer and push it back in.

Freezing and storing food

Storage time for frozen food

The storage life of food is very variable, even at a constant temperature of -18°C . Decomposition processes also take place in frozen food, albeit at a very reduced speed. For example fat can become rancid from contact with oxygen in the air. This is why lean meat can be stored approx. twice as long as fatty meat.

The storage times quoted are guide values for the storage life of different food groups in the freezer section.

Food group	Storage time (Months)
Ice cream	2 to 6
Bread, baked goods	2 to 6
Cheese	2 to 4
Fish, oily	1 to 2
Fish, lean	1 to 5
Sausage, ham	1 to 3
Game, pork	1 to 12
Poultry, beef	2 to 10
Vegetables, fruit	6 to 18
Herbs	6 to 10

Where the storage time given on the packaging differs, follow the advice on the packaging.

Defrosting

Frozen food can be defrosted in different ways:

- in a microwave oven,
- in an oven using "Fan heat" or the "Defrost" setting,
- at room temperature,
- in the refrigerator section (the cold given off by the frozen food helps to keep the other food cold),
- in a steam oven.


Flat pieces of partially thawed fish can be placed directly into a hot frying pan.

Meat and poultry It is particularly important to observe food hygiene rules when defrosting poultry. Do not use the liquid from defrosted poultry. Pour it away and wash the container it was in, the sink and your hands. Danger of salmonella poisoning. Ensure that meat and fish (e.g. mince, chicken, fish fillets) do not come into contact with other foods while defrosting. Catch the liquid and dispose of it carefully.

Fruit should be defrosted at room temperature in its packaging, or in a covered bowl.

Most vegetables can be cooked while still frozen. Just put straight into boiling water or hot fat. The cooking time is slightly less than that of fresh vegetables due to changes in the cell structure.

Freezing and storing food

 Never re-freeze partially or fully defrosted food. Consume defrosted food as soon as possible as it will lose its nutritional value and spoil if left for too long. Defrosted food may only be re-frozen after it has been cooked.

Cooling drinks quickly

When cooling drinks quickly in the freezer, make sure bottles are **not left in for more than one hour**; otherwise they could burst, causing injury and damage.

Adjusting the interior fittings

Removing the drawers and glass plates from the freezer

The drawers can be removed for filling, emptying or cleaning purposes.

You can also use the space in the freezer more flexibly. If you wish to freeze large items such as a turkey or game, the glass cold plates between the drawers can be removed.

- Pull out the drawers as far as they will go, and then lift them up and out.
- Lift the glass plate slightly, pull it forwards and out.

Using accessories

Cool pack

The cool pack prevents the temperature in the freezer rising too quickly in the event of a power cut. This can help prolong the storage time.

- Place the cool pack in the top freezer drawer.

The cool pack will be at its most effective after it has been in the freezer for approx. 24 hours.

In the event of a power cut:

- Place the frozen cool pack directly on top of the frozen food in the front of the top drawer.

Tip: When placing fresh food in the freezer, use the cool pack to separate the fresh food from the food which is already frozen so that the frozen food does not begin to thaw.

Tip: The cool pack can also be used in a cool bag to keep food or drinks cool for a short period of time.

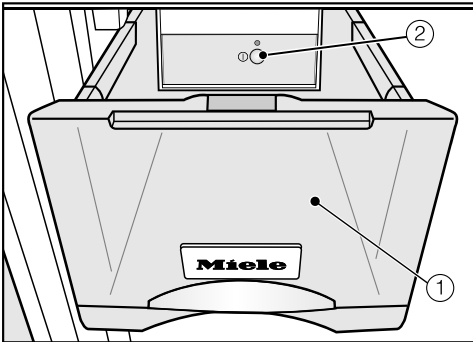
Making ice cubes

Ice cube maker with integrated ice cube tray


Only make normal domestic quantities of ice cubes with the ice cube maker.

After the appliance is switched on for the first time, it can take up to 24 hours for the first ice cubes to drop out of the ice cube maker and collect in the drawer.

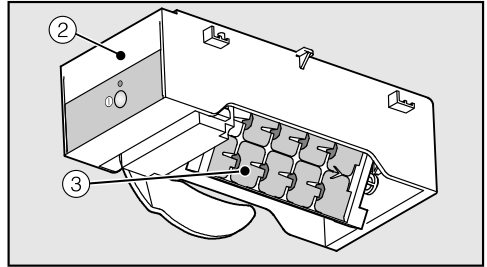
Thereafter, when the ice cube maker is switched off and then on again it will take up to a maximum of 6 hours for ice cubes to be produced.



In the ice cube drawer ① there is an automatic ice cube maker ②.

When the ice cube maker is switched on, the  symbol in the display and the indicator light on the ice cube maker light up.

Ice cubes can only be made when the ice cube drawer is closed completely.



An ice cube tray ③, in which the ice cubes are produced, is integrated in the ice cube maker ②.

The ice cube tray automatically empties into the drawer as soon as ice cubes are produced.

The ice cube maker can be switched off independently of the freezer section if you do not want the appliance to make any ice cubes.

If the ice cube maker is switched off, the ice cube drawer can be used as an extra drawer for freezing fresh food and storing frozen food.

Making ice cubes

Water container

⚠ The water quality must conform to the requirements for drinking water in the country in which the appliance is being installed (e.g. 98/83/EU).

⚠ Do not fill the water container with hot or boiling water. The water container could be damaged. Use only suitable, cold drinking water to fill the water container.

⚠ Liquids containing sugar, such as soft drinks, fruit juice, syrup or concentrate diluted with water, will clog the pump and cause the pump to malfunction completely. This in turn would damage the ice cube maker. Do not fill with liquids containing sugar.

⚠ Danger of build-up of bacteria. Do not leave water in the water container for several days. Change the water in the water container regularly and always empty and refill it before switching on the ice maker to ensure that the ice cubes are made with fresh water. The ice cube maker and water supply must be rinsed:

- before using for the first time,
- if the ice cube maker has not been used for a long time,
- regularly when in continuous use (at least once a month), to remove ice residues from the system (to avoid a blockage of the water supply) and
- before switching the ice cube maker off for a long time.

Before selecting this function, see "Cleaning and care - Rinsing the ice cube maker". Clean the water container regularly and dry it carefully.

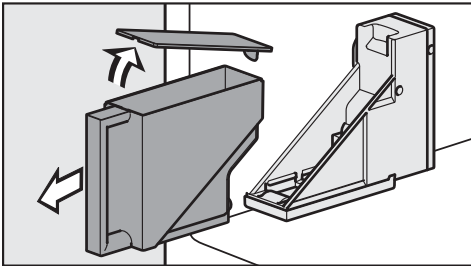
Do not use the ice cube maker continuously if the refrigerator section has been switched off separately.

The automatic ice cube maker in the freezer section is supplied with water from the water container in the refrigerator section.

However, you can also use the cooled water in the water container at any time.

Filling the water container

- Switch the appliance on.




- Pull the water container forwards to remove it.
- Clean it thoroughly with water to remove any dust etc.
- Fill the container up to the marker with fresh, cold drinking water.
- Insert the filled water container into the holder and push it all the way to the back.
Make sure that the water container clicks into position and that it is sitting correctly in its holder.


Make sure that the ice cube drawer is empty.

Switching the ice cube maker on and off



- Touch the settings sensor.

All symbols available for selection will appear in the display and the  symbol flashes.

- Touch the sensors for setting the temperature (∇ or \wedge) repeatedly until the the ice cube maker symbol  flashes in the display.
- Touch the OK sensor to confirm your selection.
- Use the ∇ and \wedge sensors to set the ice cube maker:
 ∇ : Ice cube maker is switched off
 \wedge : Ice cube maker is switched on
- Touch the OK sensor to confirm your selection.

The selected setting is applied.

- Touch the settings sensor to leave settings mode or
- Close the appliance door.

Otherwise the appliance will switch to normal operation after approximately one minute.

Making ice cubes

Making a large amount of ice cubes

The amount of ice cubes which the appliance makes depends on the temperature in the freezer section. The lower the temperature, the more ice cubes are produced within a certain time frame. At a temperature of -18 °C, approx. 1 kg of ice cubes will be produced within 24 hours.

Ice cube production is halted automatically when the ice cube drawer is full.

Tip: If you require a large amount of ice cubes, replace the full ice cube drawer with the drawer beside it on the right.

The ice cube maker will begin to produce ice cubes again as soon as this new drawer has been placed in position and closed properly.

Altering the size of the ice cubes


The size of the ice cubes produced depends on the volume of the water intake which you can set according to your requirements. To make larger ice cubes, the volume of the water intake must be increased. A medium volume of water intake (E3) is set as the factory default.


Setting the water volume

The setting can only be selected if the ice cube maker is switched on.



- Touch the settings sensor.

All symbols available for selection will appear in the display and the  symbol flashes.

- Touch the sensors for setting the temperature (∨ or ∧) repeatedly until the the ice cube maker symbol  flashes in the display.
- Touch the OK sensor to confirm your selection.
- By touching the ∨ and ∧ sensor you can now alter the water volume:
 - 0: the ice cube maker is switched off
 - 1: the ice cube maker is switched on
 - 2: **set the water volume**
 - 3: select the ice cube tray cleaning position
 - 4: rinse the ice cube maker
- Touch the OK sensor to confirm your selection.

- By touching the ∇ or \wedge sensor, you can now set the water volume you require (*E1* to *E8*):
E1: low water volume
E8: high water volume
- Touch the OK sensor to confirm your selection.

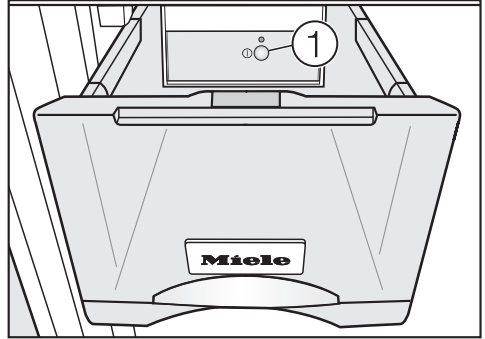
The selected setting is applied.



- Touch the settings sensor to leave settings mode, or
- Close the appliance door.

Otherwise the appliance will switch to normal operation after approximately one minute.

Switching the ice cube maker on/off with the On/Off button

- Pull the ice cube drawer out slightly.



- Press the On/Off button ① on the ice cube maker,
 - until the indicator light comes on. The ice cube maker symbol  will appear in the display. The ice cube maker is switched on.
 - until the indicator light goes out. The ice cube maker symbol  will go out in the display. The ice cube maker is switched off.
- Close the ice cube drawer.

Defrosting

Refrigerator section

The refrigerator section defrosts automatically.

Condensate and frost can build up on the back wall of the refrigerator section whilst the compressor is running. You do not need to remove this, as it will defrost and evaporate automatically with the warmth generated by the compressor.

The condensate is drained away through a channel and drain hole, then fed into an evaporation system at the back of the appliance.



Condensate must be able to drain away unhindered at all times. Keep the condensate channel and drain hole clean to enable this.

Freezer section

The appliance is equipped with a "Frost free" system. The freezer defrosts automatically.

The moisture generated in the appliance collects on the condenser and is automatically defrosted and dissipated from time to time.

This automatic defrosting system enables the freezer to remain permanently ice-free, however, the food stored in the freezer will not defrost.

⚠ Do not let water get into the electronic unit or the lighting.

⚠ Steam from a steam cleaning appliance could reach the electrical components and cause a short circuit.

Do not use a steam cleaning appliance to clean the appliance.

Cleaning water must not get into the drain hole.

The data plate located inside the appliance must not be removed. It contains information which is required in the event of a service call.

Cleaning agents

Cleaning and conditioning agents used inside the appliance must be food safe.

To avoid damaging all the surfaces of your appliance, **do not use:**

- cleaning agents containing soda, ammonia, acids or chlorides
- cleaning agents containing descaling agents
- abrasive cleaning agents, e.g. powder cleaners and cream cleaners
- solvent-based cleaning agents
- stainless steel cleaning agents
- dishwasher cleaner
- oven sprays
- glass cleaning agents

- hard, abrasive sponges and brushes, e.g. pot scourers
- melamine eraser blocks
- sharp metal scrapers

We recommend treating stainless steel surfaces with Miele stainless steel conditioning agent (see "Guide to the appliance - Optional accessories"). Unlike stainless steel cleaning agents, the conditioning agent does not contain any abrasive substances and will gently remove soiling. Each time it is used, it forms a water and dirt repellent protective coating.

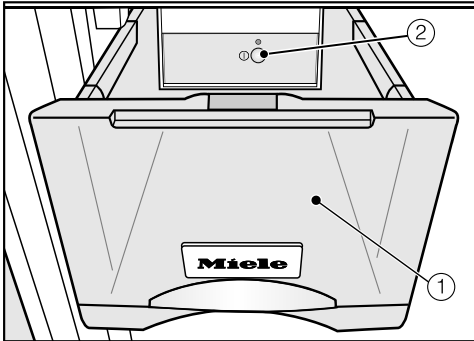
We recommend using lukewarm water with a little washing-up liquid to clean surfaces of the appliance.

The following pages contain important information on cleaning.

Cleaning and care

Rinsing the ice cube maker

- ⚠ The ice cube maker and water supply pipework must be rinsed:
- before using for the first time,
 - if the ice cube maker has not been used for a long time,
 - regularly when in continuous use (at least once a month), to remove ice residues from the system (to avoid a blockage of the water supply) and
 - before switching the ice cube maker off for a long time.



After selecting the "Rinse the ice cube maker" setting the ice cube maker ② and the water supply pipework will be rinsed automatically.

The ice cube tray then rotates into the cleaning position to allow you to dry it by hand.

Water is collected in the ice cube drawer ①.

⚠ Do not use hot or boiling water to fill the the water container. Use drinking water only. Do not add any detergents such as washing-up liquid.

The water container could be damaged.

Use only suitable drinking water that is no more than hand-hot to fill the water container.


- Pull the water container forwards to remove it.
- Clean it thoroughly with water to remove any dust etc.
- Fill the container up to the marker with fresh, cold drinking water, or drinking water which is at the most hand-hot.
- Insert the filled container into the holder and push it all the way to the back.
Make sure that the water container clicks into position and that it is sitting correctly in its holder.


Make sure the ice cube drawer is empty before selecting the "Rinse the ice cube maker" setting. Otherwise the water will empty onto the contents of the drawer.


The Rinsing setting can only be selected when the ice cube maker is switched on and the water container has been filled.



- Touch the settings sensor.


All symbols available for selection will appear in the display and the  symbol flashes.

- Touch the sensors for setting the temperature (∇ and \wedge) repeatedly until the ice cube maker symbol  flashes in the display.
- Touch the OK sensor to confirm your selection.
- By touching the ∇ and \wedge sensor, you can now select the setting you want:
 - 0: the ice cube maker is switched off
 - 1: the ice cube maker is switched on
 - 2: set the water volume
 - 3: select the ice cube tray cleaning position
 - 4: rinse the ice cube maker**
- Touch the OK sensor to confirm your selection.

The selected setting is applied. The symbol in the display for the ice cube maker  and the indicator light on the ice cube maker will flash while the ice cube maker is being rinsed.


You will hear the ice cube tray turn so that it is at an angle.

- Wait until the ice cube tray has completed this rotation before continuing.

The ice cube maker will then switch off. The ice cube maker symbol  will go out.

- Carefully remove the ice cube drawer, which will be full of water. Empty and clean it.

The ice cube tray **cannot be removed** and must be cleaned in situ.

- Dry the ice cube tray  with a soft cloth.

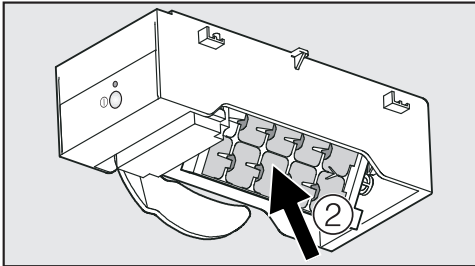
When the ice cube maker is switched back on again, the ice cube tray will rotate back into the original position.

Cleaning and care

Cleaning the ice cube tray

- ⚠ Clean the ice cube tray,
 - before switching off the ice cube maker for a long time.
 - regularly, to remove ice and water residues.

If you have previously selected the setting "Rinse the ice cube maker" (see "Rinsing the ice cube maker"), the ice cube tray will already be in the cleaning position.



The ice cube tray ② **cannot be removed** and must be cleaned in situ. To clean the tray you need to move it into the cleaning position.


Selecting the cleaning position


The setting can only be selected if the ice cube maker is switched on.

- Empty the ice cube drawer.




- Touch the settings sensor.

All symbols available for selection will appear in the display and the  symbol flashes.

- Touch the sensors for setting the temperature (∨ and ∧) repeatedly until the ice cube maker symbol  flashes in the display.
- Touch the OK sensor to confirm your selection.
- By touching the ∨ and ∧ sensors, you can now select the setting you want:
 - ∩: the ice cube maker is switched off
 - ∪: the ice cube maker is switched on
 - 2: set the water volume
 - 3: select the ice cube tray cleaning position**
 - 4: rinse the ice cube maker
- Touch the OK sensor to confirm your selection.

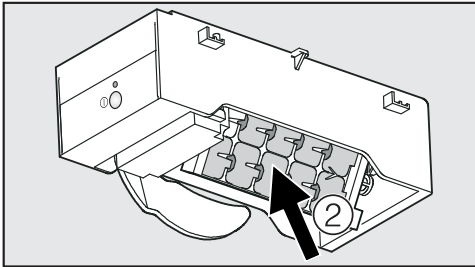
The selected setting will be applied and you will hear the ice cube tray rotate into an angled position.

- Wait until the ice cube tray has completed this rotation before continuing.

The ice cube maker will then switch off. The ice cube maker symbol  will go out.

- Remove and clean the ice cube drawer.

The ice cube tray cannot be removed and must be cleaned in situ.



- Clean the ice cube tray ②.

When the ice cube maker is switched back on again, the ice cube tray will rotate back into the original position.

Preparing the appliance for cleaning


- Switch the appliance off.

The display goes out and cooling is switched off.

If this does not happen, then the safety lock is still activated (see "Selecting further settings - Activating or deactivating the safety lock").

- Disconnect it from the mains.
- Take any food out of the appliance and store it in a cool place.
- Take out all other removable parts for cleaning.

Removing the water container

 To avoid a build-up of bacteria, do not leave water in the water container for several days.

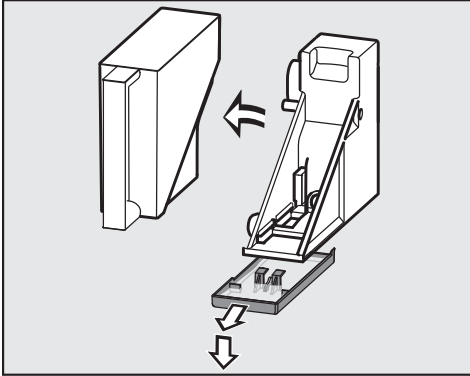
Change the water in the water container regularly and always empty and refill it before switching on the ice maker to ensure that the ice cubes are made with fresh water.

You should also clean the water container before switching off the appliance or the ice cube maker for a long time (e.g. when going on holiday).

Dry it carefully.

When cleaning the water container, also ensure that the valve, the underside of the water container and the surface the water container sits on in the refrigerator are clean. Otherwise the water container will not sit correctly.

Cleaning and care



- Remove the water container.
- Pull the drip tray forwards and then downwards to remove it.

Dismantling the adjustable shelves / adjustable shelves with lighting

⚠ The stainless steel trim with LED lighting must not be placed in water when cleaning it.

Clean the stainless steel trim with LED lighting with a damp cloth.

⚠ The stainless steel trim with LED lighting or the stainless steel trim on the adjustable shelves is not suitable for cleaning in a dishwasher.

Remove the trim before placing the shelves in the dishwasher.

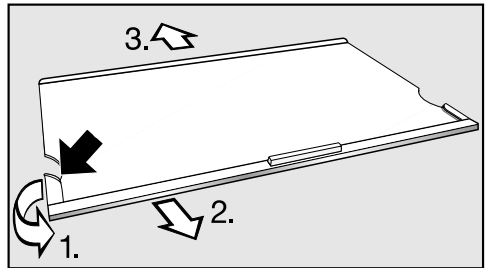
To remove the stainless steel trim and the rear protective strips, proceed as follows:

- Place the shelf with the top facing downwards on a worktop covered with a soft material (e.g. a tea towel).

⚠ The stainless steel trim with LED lighting has a metal disc (contacts) at the front left corner which supply power to the LED lighting.

These can become damaged when the trim is removed.

Ensure that you always loosen the side on which the contacts (metal disc) are not located first.



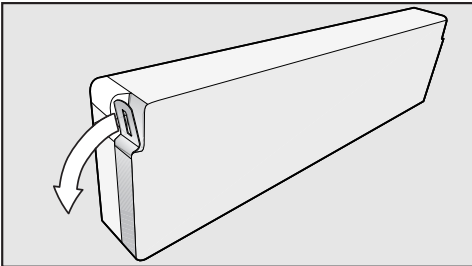
- Grasp the plastic surround on the left-hand side of the stainless steel trim at its furthest back point.
 1. Pull the plastic surround away from the shelf and
 2. pull the trim off at the same time. Then do the same on the opposite side
 3. Pull the protective strip off the shelf.
- After cleaning the shelf, attach the stainless steel trim and protective strip in the reverse order.

Dismantling the bottle and door shelves

⚠ The stainless steel trim on the bottle and door shelves is not suitable for cleaning in a dishwasher. Remove the trim before cleaning the door shelves in a dishwasher.

To remove the stainless steel trim, proceed as follows:

- Place the shelf on a worktop, with the front face down.



- Take hold of one end of the trim and pull it off the shelf. The complete trim can now be detached from the shelf.
- After cleaning, refit the stainless steel trim to the shelf in the reverse order.

Cleaning the interior and accessories

Clean the appliance at least once a month.

Remove soiling immediately to prevent it from drying on.

- Clean the **interior** with a clean sponge, lukewarm water and a little washing-up liquid.
- After cleaning, wipe with clean water and dry with a soft cloth.

The stainless steel trim on the shelves, bottle or door shelves is **not suitable** for cleaning in a dishwasher. Remove the stainless steel trim and strips before putting the shelves into the dishwasher.

The following parts **cannot be cleaned in a dishwasher**:

- the stainless steel trim or strips
- the protective strips at the back of the adjustable shelves
- the bottle rack
- all drawers and the drawer lid (depending on model)
- the cool pack
- These accessories should all be hand washed.

Cleaning and care

The following parts **are suitable** for cleaning in a dishwasher:

The maximum temperature of the dishwashing programme selected must not exceed 55 °C.

Contact with natural dyes from carrots, tomatoes and ketchup may discolour the plastic parts in the dishwasher.
This discolouration does not affect the stability of the parts.

- bottle holder, butter dish, egg tray, water container, drip tray (depending on model)
- the bottle shelf and shelves in the door (with stainless steel trim removed)
- the adjustable shelves (with the trim and strips removed)
- Clean the condensate channel and drain hole frequently so that condensate can drain away unhindered. Use a straw or similar to clear the drain hole if necessary.
- Miele stainless steel conditioning agent can be used to remove any soiling from the stainless steel trim.

Tip: It is important to treat the stainless steel trim with Miele stainless steel conditioning agent each time it is cleaned. This will protect the surface and help prevent re-soiling.

- Leave the door open to air the appliance for a short while and to prevent odours building up.

Cleaning the door seal

Do not use any grease or oil on the door seal as these will cause the seal to deteriorate and become porous over time.

- The door seal should be cleaned regularly with clean water, and then wiped dry with a soft cloth.

Cleaning the ventilation gaps

A build-up of dust will increase the energy consumption of the appliance.

- The ventilation gaps should be cleaned on a regular basis with a brush or vacuum cleaner (e.g. use the dusting brush for Miele vacuum cleaners)

After cleaning

- Replace all shelves and accessories in the appliance.
- Reconnect to the mains and switch the appliance back on.
- Switch on the Super freeze function for a while so that the freezer section can cool down quickly.
- Switch on the Super cool function for a while so that the refrigerator section can cool down quickly.
- Place food in the refrigerator section and close the door.
- Place the freezer drawers with the frozen food back in the freezer section and close the door.
- When the temperature in the freezer section is a constant $-18\text{ }^{\circ}\text{C}$ or colder press the Super freeze button to switch the Super freeze function off.

Problem solving guide

Some minor problems can be corrected without contacting Miele.



If, having followed the suggestions below, you still cannot resolve the problem, please contact Miele.

To prevent unnecessary loss of temperature it is advisable not to open the doors while waiting for the appliance to be serviced.



Unauthorised installation, maintenance and repairs can cause considerable danger for the user.

Installation, maintenance and repairs must only be carried out by a Miele authorised technician.

Problem	Cause and remedy
The appliance is not getting cold, the interior lighting does not come on when the door is opened, and the display is not lit up.	The appliance is not switched on and the mains connection symbol  is lit up in the display. ■ Switch the appliance on.
	The plug is not inserted in the socket correctly. ■ Insert the plug correctly into the socket. The mains connection symbol  appears in the display when the appliance is switched off.
	Check whether the mains fuse has tripped. There could be a fault with the appliance, the household electrical wiring or another electrical appliance. ■ Contact a qualified electrician or Miele.
The compressor runs continuously.	This is not a fault. To save energy, the compressor runs at a lower speed, but for longer, when less cooling is required.







Problem solving guide

Problem	Cause and remedy
<p>The compressor is switching on more frequently and for longer periods of time. The temperature in the appliance is too low.</p>	<p>The ventilation gaps have been covered or become too dusty.</p> <ul style="list-style-type: none"> ■ Do not block the ventilation gaps. ■ Dust the ventilation gaps regularly.
	<p>The doors have been opened too frequently, or a large amount of fresh food has been placed inside and/or frozen at the same time.</p> <ul style="list-style-type: none"> ■ Only open the doors when necessary and for as short a time as possible. <p>The required temperature will re-establish itself after a while.</p>
	<p>The doors are not properly closed. A thick layer of ice may have formed in the freezer.</p> <ul style="list-style-type: none"> ■ Close the appliance doors. <p>The required temperature will re-establish itself after a while.</p> <p>If a thick layer of ice has formed, it will reduce efficiency and increase the energy consumption.</p> <ul style="list-style-type: none"> ■ Defrost the appliance and clean it.
	<p>The ambient temperature is too high. The higher the room temperature, the longer the compressor will run for.</p> <ul style="list-style-type: none"> ■ See "Installation - Location".
	<p>The temperature setting is too low.</p> <ul style="list-style-type: none"> ■ Adjust the temperature.
	<p>A large amount of food is being frozen at once.</p> <ul style="list-style-type: none"> ■ See "Freezing and storing food".
	<p>The Super cool function is still switched on.</p> <ul style="list-style-type: none"> ■ You can switch off the Super cool function earlier to save energy.
	<p>The Super freeze function is still switched on.</p> <ul style="list-style-type: none"> ■ You can switch off the Super freeze function earlier to save energy.





Problem solving guide

Problem	Cause and remedy
The compressor comes on less and less often and for shorter periods of time. The temperature in the appliance rises.	<p>This is not a fault. The set temperature is too high.</p> <ul style="list-style-type: none">■ Adjust the temperature.■ Check the temperature again after 24 hours. <p>The food begins to defrost. The room temperature is lower than the ambient temperature for which the appliance is designed. Operating in a room which is too cold will cause the compressor to switch off for too long, causing the freezer to become too warm.</p> <ul style="list-style-type: none">■ See "Installation - Location".■ Increase the temperature of the room.
An LED indicator light is flashing at the back of the appliance at the bottom near the compressor (depending on model).	<p>This is not a fault. The electronic unit for the compressor is equipped with an operation and fault diagnosis LED indicator light which flashes every 15 seconds (depending on model).</p>

Display warnings

Message	Cause and remedy
<p>You cannot switch the appliance off.</p>	<p>The safety lock is activated. The  symbol is lit up in the display.</p> <ul style="list-style-type: none"> ■ Deactivate the lock (see "Selecting settings - Activating or deactivating the safety lock").
<p>The alarm symbol  and the sensor for one of the sections light up in the display, and an alarm also sounds.</p>	<p>The door alarm has been activated.</p> <ul style="list-style-type: none"> ■ Close the appliance door. The alarm symbol  will go out and the alarm will stop.
<p>The alarm symbol  and the sensor for one of the sections flashes and an alarm also sounds.</p>	<p>The temperature alarm has been activated. The temperature in the zone concerned has risen higher or fallen lower than the temperature set. This could be due to:</p> <ul style="list-style-type: none"> – the appliance door being opened too often, or being left open. – a large quantity of fresh food being placed in the freezer at once without switching on the Super freeze function. – a lengthy interruption to the power supply. <ul style="list-style-type: none"> ■ Rectify the cause of the alarm. <p>The alarm symbol  goes out and the sensor for the section concerned lights up constantly. The audible alarm stops.</p> <ul style="list-style-type: none"> ■ Depending on the temperature displayed, you should check the condition of food in the freezer. If it has defrosted or started to defrost, check that it is still safe to use and, if so, use it as soon as possible. Defrosted food may only be re-frozen after it has been cooked.
<p>The  symbol is flashing in the display and the indicator light is flashing on the ice cube maker.</p>	<p>There is not enough water in the water container.</p> <ul style="list-style-type: none"> ■ Fill the water container with fresh tap water.

Problem solving guide

Message	Cause and remedy
The ice maker  and alarm  symbols are flashing in the display. The indicator light on the ice cube maker is also flashing.	<p>There is a fault with the ice cube maker.</p> <ul style="list-style-type: none"> ■ Call the Miele Service Department.
The mains connection symbol  , appears and the alarm sounds. The temperature display will also show the warmest temperature recorded in the freezer during an interruption to the power supply or a power cut.	<p>The temperature in the appliance in the previous days or hours has risen too high because of a power cut or interruption to the power supply.</p> <p>The appliance will go back to the last temperature setting when the power is back on.</p> <ul style="list-style-type: none"> ■ Touch the alarm off sensor. <p>The warmest temperature display will go out. The display will then revert to showing the current temperature in the freezer.</p> <ul style="list-style-type: none"> ■ Depending on the temperature displayed, you should check the condition of food in the freezer. If it has defrosted or started to defrost, check that it is still safe to use and, if so, use it as soon as possible. Defrosted food may only be re-frozen after it has been cooked.
"F0 to F9" appears in the display.	<p>There is a fault.</p> <ul style="list-style-type: none"> ■ Call the Miele Service Department.
"FE*" appears in the display.	<p>There is a fault.</p> <ul style="list-style-type: none"> ■ Call the Miele Service Department.
The  symbol lights up in the display, the appliance does not get cold, although the controls and the interior lighting are working.	<p>Demo mode is switched on. This allows the appliance to be presented in the showroom without the cooling system being switched on. Do not activate this setting for domestic use.</p> <ul style="list-style-type: none"> ■ Switch off Demo mode (see "Information for dealers - Demo mode").



Problems with the ice cube maker

Problem	Cause and remedy
The ice cube maker will not switch on.	<p>The appliance is not connected to the power supply or is not switched on.</p> <ul style="list-style-type: none">■ Reconnect to the mains and switch the appliance back on.
The ice cube maker is not producing any ice cubes.	<p>The appliance or the ice cube maker is not switched on.</p> <ul style="list-style-type: none">■ Switch on the appliance and the ice cube maker.
	<p>The ice cube drawer is not closed properly.</p> <ul style="list-style-type: none">■ Push the drawer in properly.
	<p>There is not enough water in the water container.</p> <ul style="list-style-type: none">■ Fill the water container with fresh tap water.
	<p>The water container is not sitting correctly.</p> <ul style="list-style-type: none">■ Push the water container into the appliance correctly, making sure it clicks into position.
	<p>The ice cube tray is not in the correct position.</p> <ul style="list-style-type: none">■ Correct the position of the ice cube tray.
	<p>The temperature in the freezer section is too high.</p> <ul style="list-style-type: none">■ Select a lower temperature.
The ice cube maker is only producing small ice cubes.	<p>The size of the ice cubes produced depends on the volume of the water intake which you can set according to your requirements</p> <ul style="list-style-type: none">■ Lengthen the water intake time for the ice cube maker.



Problem solving guide

Problem	Cause and remedy
The ice cubes taste or smell odd.	<p>The ice cube maker is in continuous use and should be cleaned regularly.</p> <ul style="list-style-type: none">■ Rinse the ice cube maker and water supply pipework regularly (see "Cleaning and care - Rinsing the ice cube maker").
	<p>The ice cube maker has been used very infrequently. Ice cubes that are stored for a long period can absorb the taste and smell of other items.</p> <ul style="list-style-type: none">■ Empty the ice cube drawer if you are not going to use the ice cube maker for a long period of time.■ Rinse the ice cube maker and water supply pipework regularly (see "Cleaning and care - Rinsing the ice cube maker").
	<p>Unwrapped food is being stored in the freezer. Ice can absorb the taste and smell of unwrapped food.</p> <ul style="list-style-type: none">■ Only store food which has been wrapped in the freezer section.
	<p>The ice cube drawer is dirty.</p> <ul style="list-style-type: none">■ Clean the ice cube drawer.

The interior lighting is not working.

Problem	Cause and remedy
<p>The interior lighting is not working.</p>	<p>The appliance has not been switched on.</p> <ul style="list-style-type: none"> ■ Switch the appliance on.
	<p>Sabbath mode is switched on: the display is dark and the appliance is cooling.</p> <ul style="list-style-type: none"> ■ Touch the settings sensor to leave Sabbath mode. <p>The temperature will then appear in the display and the interior lighting will come on (see "Selecting further settings - Switching Sabbath mode on/off").</p>
	<p>To avoid overheating, the lighting switches itself off automatically after approx. 15 minutes if the door is left open. If this is not the case, then there is a fault.</p>
	<div style="border: 1px solid gray; padding: 5px; margin-bottom: 10px;"> <p> Danger of electric shock. There are live electrical components under the lighting cover. The LED lighting may only be repaired or replaced by a Miele authorised service technician.</p> </div> <div style="border: 1px solid gray; padding: 5px;"> <p> Danger of injury from LED lighting. Light intensity corresponds to laser beam class 1/1M. The lighting covers must not be removed or damaged, or be removed due to damage. This could cause injury to your eyes. Do not look into the LED lighting (laser beam class 1/1M) with optical instruments (e.g. magnifying glass or similar).</p> </div> <ul style="list-style-type: none"> ■ Call the Miele Service Department.

Problem solving guide

Problem	Cause and remedy
The LED lighting on one of the shelves is not working.	<p>The shelf has not been positioned correctly on the shelf supports.</p> <ul style="list-style-type: none">■ Check that the shelf is positioned correctly on the shelf supports. The shelf has a metal disc (contacts) at the front left corner which supply power to the LED lighting.■ Push the shelf in until it clicks into position.
	<p>The metal disc is not clean and dry.</p> <ul style="list-style-type: none">■ Clean it with a damp cloth and then dry with a lint-free cloth.
	<p>The LED lighting on the stainless steel trim is faulty.</p> <div data-bbox="404 579 1042 775" style="border: 1px solid gray; padding: 5px;"><p> Danger of electric shock. There are live electrical components under the lighting cover. The LED lighting may only be repaired or replaced by a Miele authorised service technician.</p></div> <div data-bbox="404 791 1042 1074" style="border: 1px solid gray; padding: 5px;"><p> Danger of injury from LED lighting. Light intensity corresponds to laser beam class 1/1M. The lighting covers must not be removed or damaged, or be removed due to damage. This could cause injury to your eyes. Do not look into the LED lighting (laser beam class 1/1M) with optical instruments (e.g. magnifying glass or similar).</p></div> <ul style="list-style-type: none">■ Replace the shelf with LED lighting (available from Miele).

Problem solving guide

Problem	Cause and remedy
The LED lighting is not working on any of the shelves.	<p>Liquid has spilt onto the LED lighting on one of the shelves or the metal discs (contacts) in the left-hand shelf supports.</p> <p>The safety switch off mechanism has switched off the LED lighting on all the shelves.</p> <ul style="list-style-type: none">■ Wipe the stainless steel trim with LED lighting with a damp cloth and dry it or leave it outside the appliance to dry. Clean the metal discs (contacts) in the shelf supports by wiping and drying them.■ Make sure that the contacts are clean and dry before inserting the shelves with lighting in the appliance.■ Push the shelf in until it clicks into position.■ Close the appliance door. <p>When the door is opened again, the interior lighting will come on.</p>
	<p>If this is not the case, then there is a fault.</p> <ul style="list-style-type: none">■ Call the Service Department.

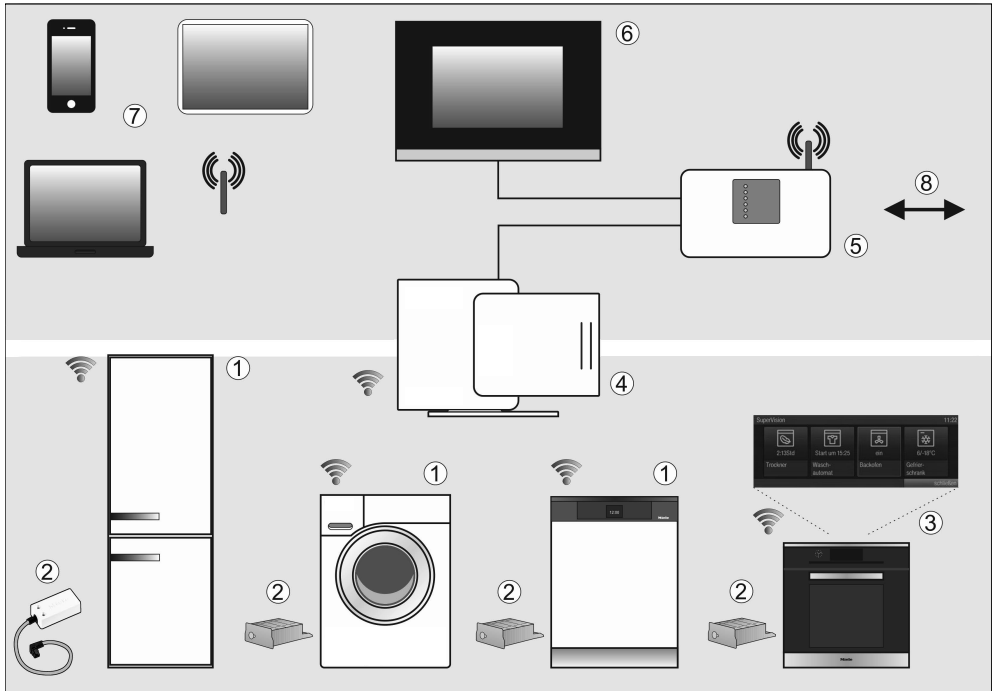
Problem solving guide

Other problems

Problem	Cause and remedy
The door to the freezer will not open because it has been opened and closed too many times in succession.	This is not a fault. The suction caused by opening and closing the door is preventing the door from opening. Wait approx. 1 minute and then try again. It should now open without force.
The floor of the refrigerator section is wet.	The condensate drain hole is blocked. ■ Clean the condensate channel and drain hole.
There is no audible alarm although the door has been open for a long time.	This is not a fault. The alarm tone has been switched off in settings mode (see "Selecting further settings - Audible tones").
The external walls of the appliance feel warm.	This is not a fault. The warmth created by the evaporator is used to prevent condensation.

Normal noises	What causes them
Brrrrr ...	A humming noise is made by the motor (compressor). This noise can get louder for brief periods when the motor switches on.
Blubb, blubb ...	A gurgling noise can be heard when coolant is circulating through the pipes.
Click ...	Clicking sounds are made when the thermostat switches the motor on and off.
Sssrrrr ...	You can sometimes just hear the sound of the fan inside the appliance.
	You can hear the sound of water being pumped out of the water container.
Crack ...	A cracking sound can be heard when materials expand inside the appliance.
Remember that the noise of the compressor and the coolant circulating in the system is unavoidable.	

Noises	Cause and remedy
Rattling, vibrating	The appliance is uneven. Realign the appliance using a spirit level, by raising or lowering the screw feet underneath the appliance or place something underneath it.
	The appliance is touching another appliance or piece of furniture. Move it away.
	Drawers, baskets or shelves are unstable or sticking. Check all removable items and refit them correctly.
	Bottles or containers are touching each other. Separate them.
	The transport cable clips are hanging loose at the back of the appliance. Remove the cable clips.



- ① Miele@home communication enabled appliance
- ② Miele@home communication stick XKS3000Z or communication module XKM3000Z
- ③ Miele@home communication enabled Master appliance with SuperVision functionality
- ④ Miele@home Gateway XGW3000
- ⑤ WiFi router
- ⑥ Connection to a Home automation system
- ⑦ Smartphone, Tablet PC, Laptop
- ⑧ Internet connection

Please note that the Miele@home and SuperVision system is currently only available in selected countries.

This appliance ①/③ is network enabled and can be connected to the Miele@home system via a communication module or communication stick ② and a conversion kit where required.

The Miele@home system enables network enabled appliances to send information via the household wiring network to a master appliance ③ such as an oven with SuperVision functionality, about their operational status, as well as information about the progress of the programme.

Displaying information and controlling appliances

- SuperVision master appliance ③
The status of other signed on appliances can be shown in the display of some network enabled appliances.
- Mobile device ⑦
A PC, Notebook, Tablet PC or a Smartphone can be used within the reception area of a household WLAN ⑤ to display status information about signed on appliances and carry out certain functions.
- Household network ⑥
The Miele@home system enables smart living. The Miele@home Gateway ④ allows other network enabled appliances to integrate into the household bus system.

- In Germany, network enabled appliances can be integrated into the QIVICON Smart Home Platform instead of the Miele@home Gateway (www.qivicon.de).

SmartStart (depending on household appliance)

Smart grid enabled appliances can be started automatically at a time when electricity costs are favourable or when a favourable supply of electricity is available (e.g. from a solar power system).

Optional accessories (depending on household appliance)

- Communication module XKM3000Z or communication stick XKS3000Z
- Conversion kit for communication system XKV
- Miele@home Gateway XGW3000

These accessories are supplied with their own installation and operating instructions.

Further information

Further information regarding Miele@home is available on the internet and in the instruction manuals of the various Miele@home components.

After Sales / Guarantee

After sales service

In the event of any faults which you cannot easily remedy, please contact

- your Miele Dealer, or
- the Miele Service Department.

See end of this booklet for contact details. Please note that telephone calls may be monitored and recorded for training purposes and that a call-out charge will be applied to service visits where the problem could have been resolved as described in this booklet.

When contacting your Dealer or Miele, please quote the model and serial number of your appliance.

This information is given on the data plate inside your appliance.

Guarantee: U.K.

In the U.K. the appliance is guaranteed for 2 years from the date of purchase. However, you must activate your cover by calling 0330 160 6640 or registering online at www.miele.co.uk.

Guarantee: Other countries

For information on the appliance guarantee specific to your country please contact Miele.

See end of this booklet for contact details.


Demo mode

The appliance can be demonstrated in the showroom or at exhibitions in "Demo mode". In this mode the control panel and interior lighting are active but the compressor remains switched off, so that the appliance does not cool down.


Switching on demo mode




- Switch the appliance off using the On/Off sensor.
If this does not work, the safety lock is still activated.

The temperature display will go out and the mains connection symbol  will appear.

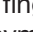





- Place your finger on the  sensor, and leave it there.



- At the same time, briefly touch the On/Off sensor (without letting go of the  sensor).



- Leave your finger on the  sensor until the  symbol appears in the display.
- Then release the  sensor.

Demo mode is switched on and the  symbol appears in the display.


Information for dealers

Switching off Demo mode


The  symbol is lit up in the display.



- Touch the settings sensor.



All symbols available for selection will appear in the display and the  symbol flashes.




- Touch the sensors for setting the temperature (∇ or \wedge) repeatedly until the  symbol flashes.



- Touch the OK sensor to confirm your selection.


 flashes in the display (means: Demo mode is switched on) and the  symbol lights up.



- Touch the ∇ or \wedge sensor until  appears (means: Demo mode is switched off).




- Touch the OK sensor to confirm your selection.

The selected setting is applied, the  symbol flashes.



- Touch the settings sensor to leave settings mode. Otherwise the appliance exits settings mode automatically after approximately one minute.

Demo mode is switched off, the  symbol goes out.

The appliance is supplied with a power cable and moulded plug ready for connection to an AC 230 V 50 Hz supply.

The fuse rating must be at least 10 A (13 A in the UK).

This appliance must be connected to a suitable switched socket which is easily accessible. The electrical connection must comply with current local and national safety regulations (BS 7671 in the UK).

The accessibility of the plug must always be ensured in order to be able to quickly separate the appliance from the mains.

If the mains socket is not accessible after the appliance has been built in, a separator for each terminal must be present. There must be an all-pole contact gap of at least 3 mm in the switch (including switch, fuses and relays according to EN 60335).

The plug and mains connection cable must not come into contact with the back of the appliance as vibrations can cause damage to these components. This, in turn, could result in a short circuit.

Do not plug in other appliances behind this appliance.


Do not connect the appliance to the mains electricity supply by an extension lead. Extension leads do not guarantee the required safety of the appliance (e.g. danger of overheating).

Do not connect the appliance to an inverter such as those used with an autonomous energy source e.g. **solar power**. When switched on, peak loads in the system can cause the safety switch-off mechanism to be triggered. This can damage the electronic unit. The appliance must not be used with so-called **energy-saving devices** either. These reduce the amount of energy supplied to the appliance, causing it to overheat.

If the mains cable needs to be replaced this must be done by a suitably qualified person.

Installation

This appliance must be built in, otherwise it could tip up.

 Fire risk and danger of damage!
This fridge-freezer must not be installed underneath a hob.


Location

This appliance should be installed in a dry, well-ventilated room.

It should not be installed next to a cooker, an oven, a heater or a hob or near a window where it would be affected by direct sunshine. The higher the ambient temperature of the room, the longer the compressor will run for and the higher the energy consumption.

When installing the appliance, please note:

- The socket must be easily accessible in an emergency, not concealed behind the appliance.
- The plug and cable must not touch the rear of the appliance as they could be damaged by vibrations from the appliance.
- Do not plug in other appliances behind this appliance.

 **In environments with high humidity** condensation can build up on the exterior of the appliance.

This can cause corrosion of the appliance walls.

For prevention, it is advisable to install the appliance with sufficient ventilation in a dry and/or air conditioned room.

Please ensure that the appliance doors close properly, the ventilation gaps are not covered over and the appliance is installed in accordance with these instructions.

Climate range

The appliance is designed for use within a certain climate range (ambient temperatures) and should not be used outside this range. The climate range of the appliance is stated on the data plate inside the appliance.

Climate range	Ambient room temperature
SN	+10 to +32 °C
N	+16 to +32 °C
ST	+16 to +38 °C
T	+16 to +43 °C

Operating in a room which is too cold will cause the compressor to switch off for too long, causing the internal temperature in the appliance to rise with the risk of food deteriorating and going off.

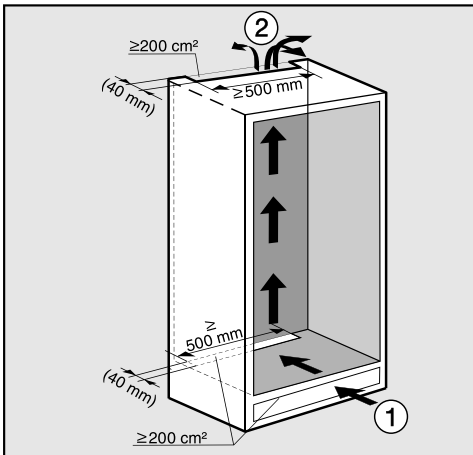
Ventilation

⚠ If the ventilation gaps given are not observed, the compressor will run more frequently and for longer periods.

This will result in increased energy consumption and a higher operating temperature for the compressor. This may, in turn, cause damage to the compressor.

It is essential to observe the ventilation gaps given.

Air at the back of the appliance gets warm. The appliance housing unit must therefore be constructed to allow sufficient space for ventilation (see "Building-in dimensions"):



- Air intake ① occurs via the plinth at the bottom of the appliance and the air escapes at the top ② at the back of the housing unit.
- A ventilation gap of at least 40 mm depth must be allowed for behind the appliance for air to circulate.

- The ventilation cross-sections in the plinth, housing unit and above the appliance must each provide an unobstructed airflow of at least 200 cm^2 to ensure that air can circulate without hindrance.

If ventilation grilles are to be inserted into the ventilation gaps, the ventilation gaps must be larger than 200 cm^2 . The unobstructed airflow of 200 cm^2 is calculated by adding up the total area of ventilation openings in the grille.

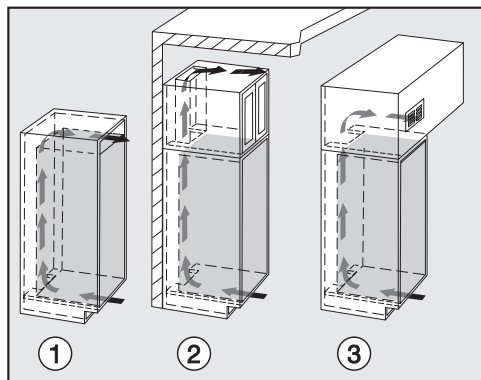
- Important. The appliance uses less energy, the larger the ventilation gaps.

The ventilation gaps must not be covered or blocked in any way. They should be dusted on a regular basis.

Installation

Top ventilation gap

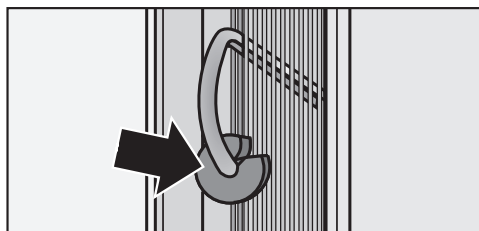
The ventilation gap at the top of the appliance can be constructed in different ways:



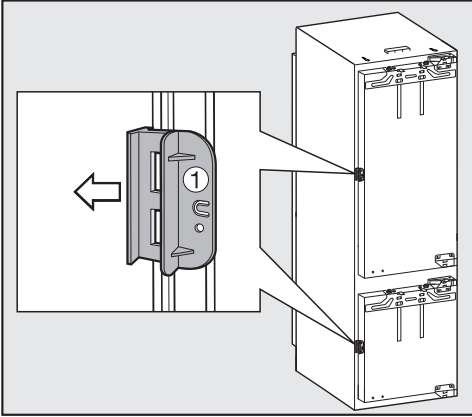
- ① directly above the appliance with a ventilation grille (free airflow of at least 200 cm²).
- ② in between the housing unit and the ceiling
- ③ through a suspended ceiling.

Before installing the appliance

- Take the accessory pack which includes installation parts and other accessories out of the appliance and remove the packaging strap holding the door in place.
- **Do not remove** the following from the back of the appliance:

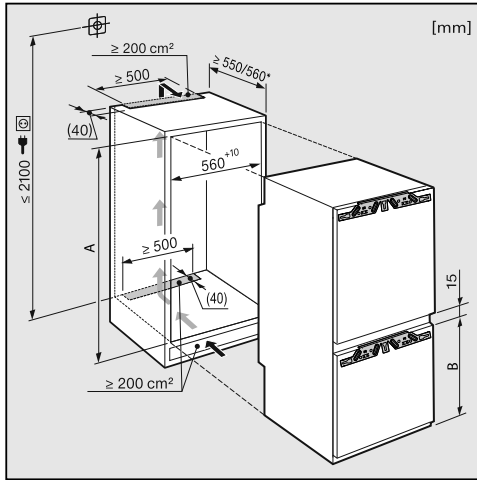


- The spacers (depending on model). These ensure the gap required between the back of the appliance and the wall is maintained.
- Depending on model, the pouches located in the metal grille (heat exchanger). They are required for the correct functioning of the appliance. The contents are not poisonous or dangerous.
- Remove the cable clip from the back of the appliance.
- Check that all parts at the back of the appliance are unhindered. Carefully remove any hindrance.



- Open the appliance door and remove the red safety catch ① (depending on model).

Building-in dimensions



* The declared energy consumption was calculated in a 560 mm deep niche. The appliance is fully functional in a 550 mm niche but the energy consumption will be slightly higher.

Before installation, ensure the housing unit is the correct size. The specified ventilation cross-sections must be maintained in order to ensure the correct functioning of the appliance.

	Niche height [mm] A	Freezer section [mm] B
KFN 37452 iDE	1772 – 1788	695

Limiting the opening angle of the door

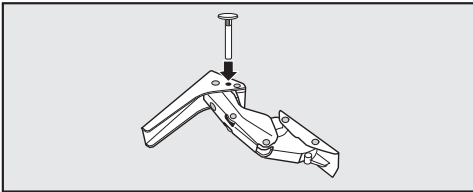
The door hinges are set ex works to enable the door to be opened wide.

However if the opening angle of the door needs to be limited for any reason, the hinge can be adjusted to accommodate this.

If the appliance door hits an adjacent wall when opened, for example, the opening angle can be limited to approx. 90°.

The locking pins for limiting the door opening must be fitted before the appliance is installed.

The refrigerator section door must be taken off in order to insert the pins into the upper hinge of the freezer section door.



- Place the locking pins supplied for limiting the door opening into the hinges from above.

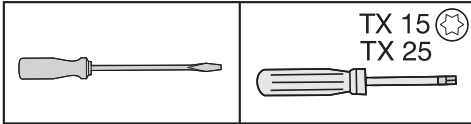
The door opening angle is now limited to approx. 90°.

Changing the door hinging

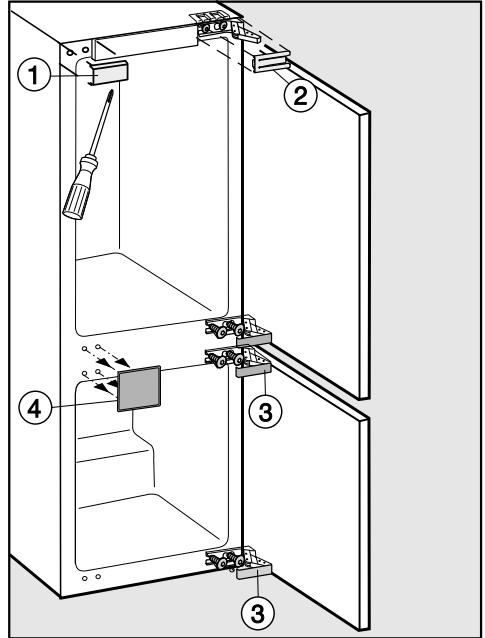
Two people are needed for changing the door hinging.

The appliance is supplied right-hand hinged. If left-hand hinging is required, the hinges must be changed.

To change the door hinging, you will need the following tools:

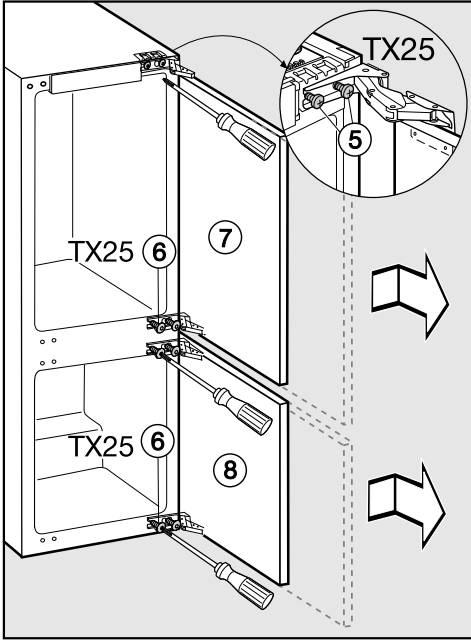


- Open both appliance doors.
- Remove the shelves/bottle shelf from the appliance door.

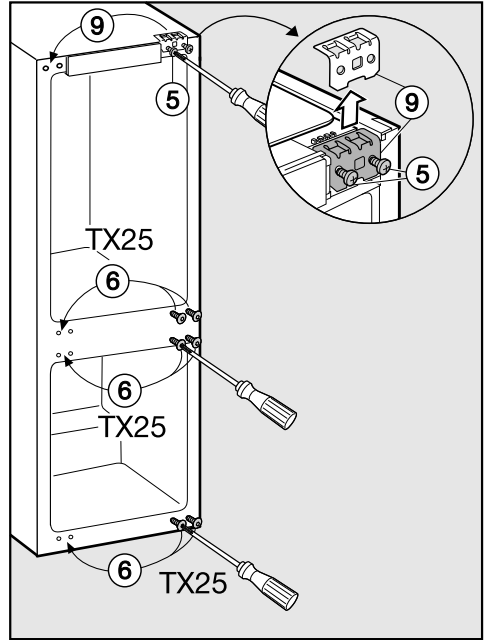


- Remove covers ①, ②, ③ and ④.

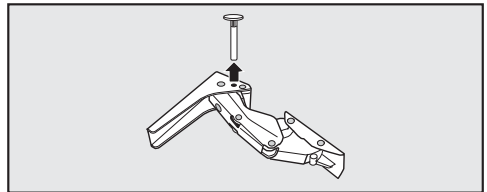
Changing the door hinging



- Slightly loosen screws ⑤ and ⑥ in the hinges.
- Push doors ⑦ and ⑧ outwards and take them off their hinges.



- Undo screws ⑤ completely.
- Fit bracket ⑨ on the opposite side and loosely fit screws ⑤.
- Remove screws ⑥ completely and loosely screw them in on the opposite side.



- If you have put locking pins into the hinges to stop the door opening too far:
remove the locking pins from the top of the hinges.

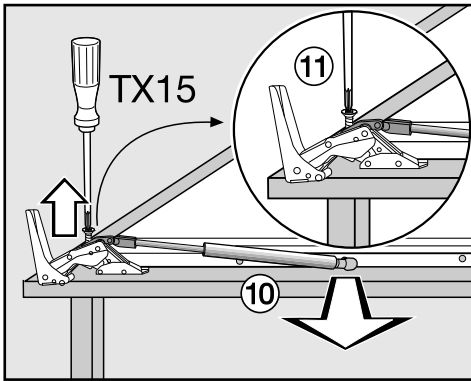
Changing the door hinging

Carry out the following steps on both doors.

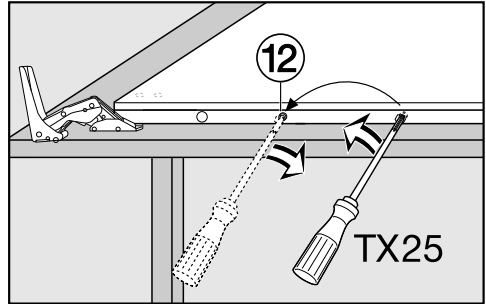
To remove the soft-close mechanism

Warning. The soft-close mechanism snaps shut when dismantled.
Danger of injury.

- Place the door with the outer side downwards on a stable surface.

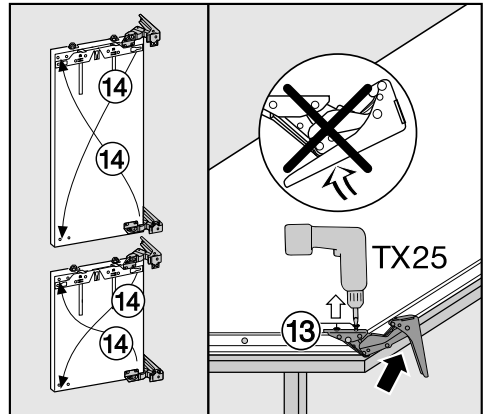


- Remove the soft-close mechanism ⑩ from the ball joint.
- Unscrew holder ⑪ and remove the soft-close mechanism ⑩.



- Undo ball joint ⑫ using a screwdriver and reposition and secure it as shown.
- Now turn the appliance door over so that the outer side is now facing upwards (the hinges remain open).

Danger of injury.
Do not close the hinges.

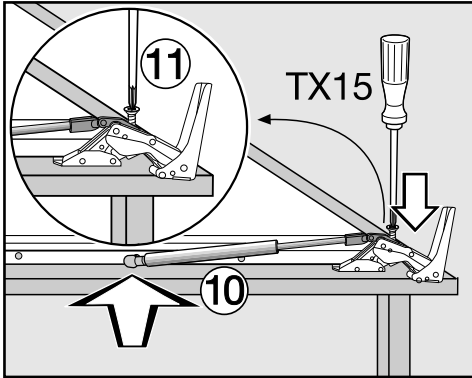


- Remove screws ⑬ completely.
- Replace the hinges in their diagonally opposite corners ⑭.

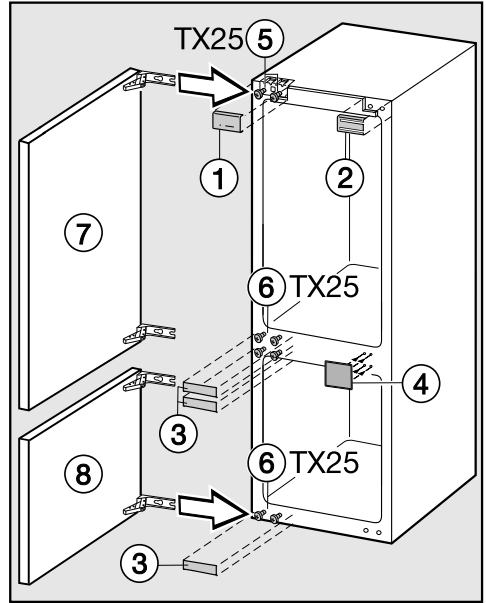
Changing the door hinging

To secure the soft-close mechanism

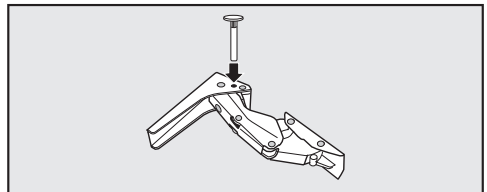
- Turn the appliance door over again so that the outer side is now facing downwards.



- Screw holder ⑪ onto the hinge and tighten securely.
- Open out soft-close mechanism ⑩ and hook it into the ball joint.



- Push appliance doors ⑦ and ⑧ onto the pre-fitted screws ⑤ and ⑥, then tighten the screws ⑤ and ⑥.
- Replace covers ①, ②, ③ and ④.

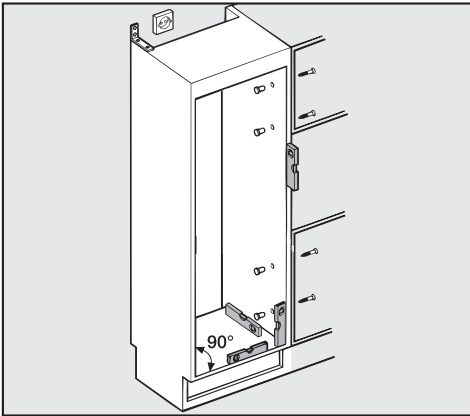


- Refit the locking pins into the top of the hinges to prevent the doors opening too far.

Installing the appliance

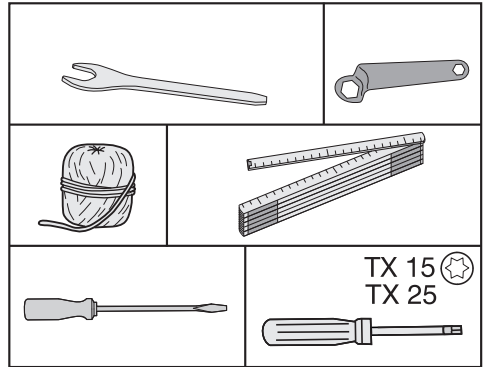
Two people are required for installing the appliance.

- Install the appliance in a stable, solid housing unit, positioned on an even and level floor.
- Secure the housing unit against tipping.



- Use a spirit level to align the housing unit. The corners of the housing unit must be at a 90 ° angle to each other, otherwise the furniture door will not align correctly with all 4 corners of the housing unit.
- The required ventilation cross-sections must be ensured (see "Installation - Ventilation" and "Building-in dimensions").

To install the appliance, you will need the following tools:

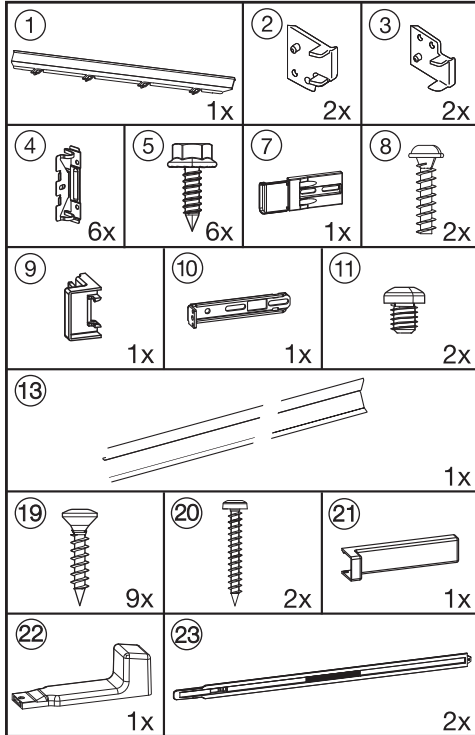


Installing the appliance

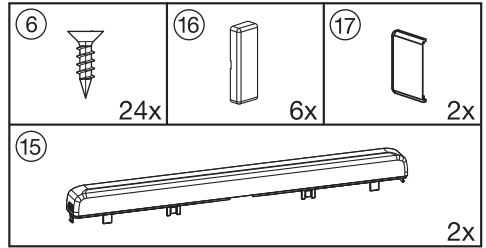
Parts required for installation

All installation parts are number coded. This coding is also used in the installation instructions.

– required for installing the appliance in its housing unit:



– required for fitting the furniture doors:

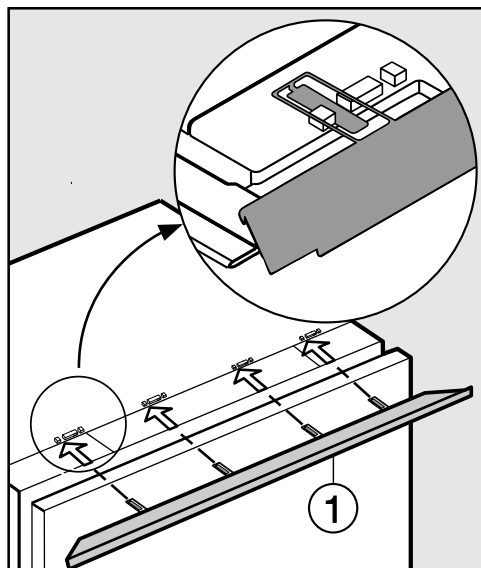


All fitting instructions given are for a right-hand hinged appliance. If you have converted the appliance to left-hand hinging, you will need to adapt these instructions accordingly.

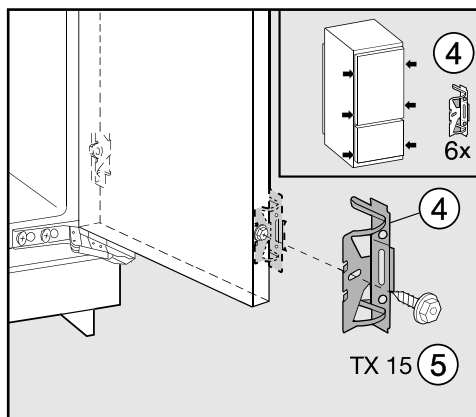
Installing the appliance

Preparing the appliance

- Position the appliance in front of the housing unit.



- Fit cover strip ① into position.



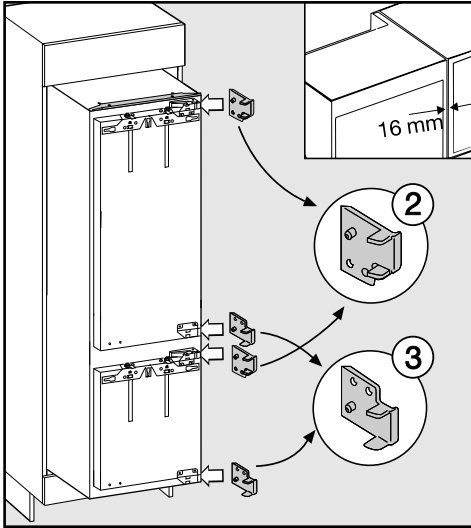
- Screw fixing bracket ④ using hex screw ⑤ to the pre-drilled holes in the appliance door. Using the pre-drilled holes in the appliance door, secure a second pair of fixing brackets ④ in the handle area of the door.
- Push the appliance two-thirds of the way into its niche. When doing this, make sure that the mains cable does not get trapped.

Tip: To help you push it into position, tie a piece of string around the plug to "increase" the length of the connection cable.

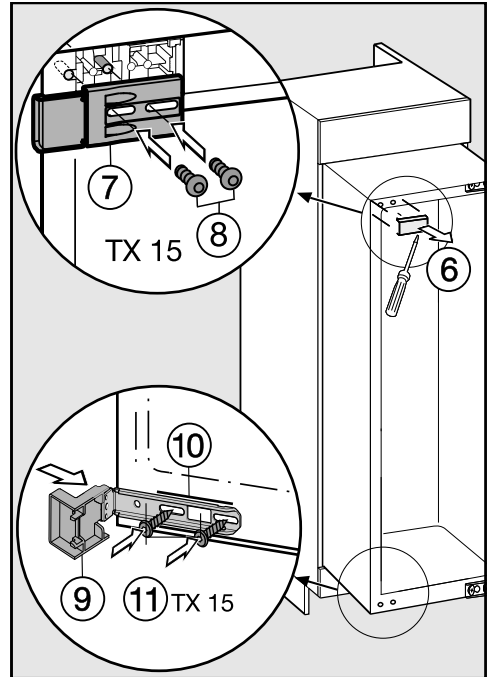
Then pull the cable by the end of the string through the housing unit. It will then be easier to connect once the appliance is in the unit.

Installing the appliance

With 16 mm thick unit walls:

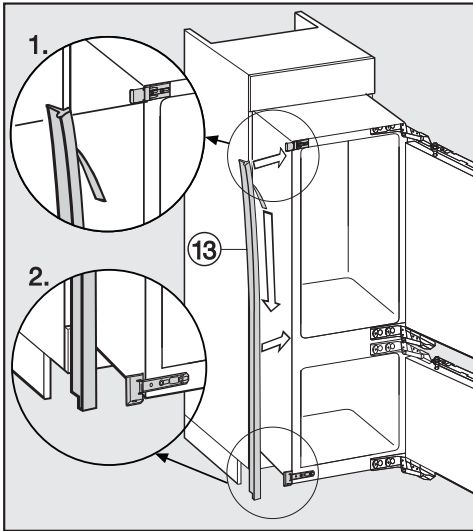


- Clip spacers ② and ③ on the right-hand side of the hinges.
- Open both appliance doors.



- Remove cover ⑥.
- Secure part ⑦ using screws ⑧ loosely into the top left-hand side of the appliance. Do not tighten the screws so that you can adjust the position of this part.
- Fit stopper ⑨ onto fixing bracket ⑩.
- Then screw fixing bracket ⑩ using screws ⑪ loosely into the bottom of the appliance. Do not tighten the screws so that you can adjust the position of this part.

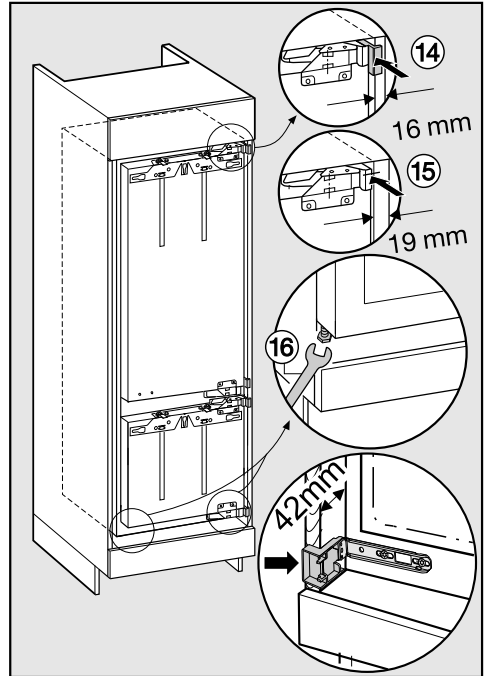
Installing the appliance



- Carefully remove the protective foil from sealing strip ⑬.
 - Fix sealing strip ⑬ flush with the front of the appliance on the door opening side.
1. Position the sealing strip flush with the lower edge of the top fixing.
 2. Stick it down along its entire length.

Installing the appliance

- Push the appliance into the niche until all fixing brackets are in line with the front edge of the furniture side wall.



- ⑭ **With 16 mm thick walls:**
The spacers should touch the front edge at the top and bottom of the side walls of the housing unit.
- ⑮ **With 19 mm thick walls:**
The front edges of the top and bottom hinges should be flush with the front edge of the housing side wall.

Installing the appliance

- Check the position of the fixing bracket at the top and bottom front edge of the furniture side wall again.

This will create a gap all round of **42 mm** to the front edges of the housing unit side walls.

On furniture with door fittings (e.g. stubs, seals etc.) the dimension of these must be taken into account when making sure there is a gap all round of **42 mm**.

- Pull the appliance forwards by the appropriate dimension.

The hinges and covers will now protrude by the dimension of the door fitting.

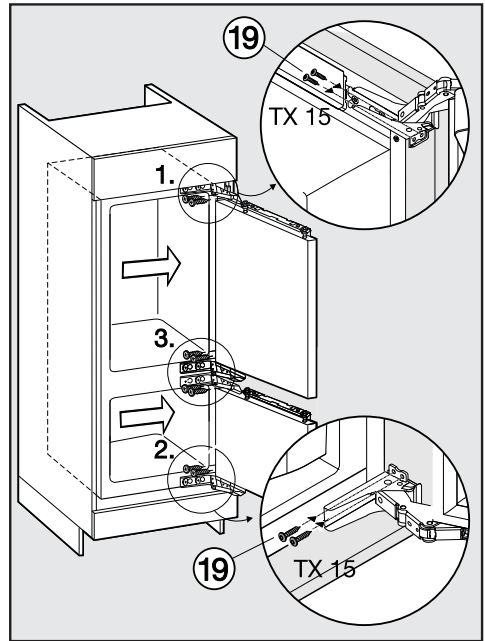
Tip: Remove the door fittings. This will ensure that the door is flush with the surrounding kitchen unit furniture doors.

- ⑯ Align the appliance on both sides by altering the adjustable feet using the spanner supplied.

If the all round gap of 42 mm is not maintained between the appliance housing and the front edge of the housing unit side wall, the door may not shut properly.

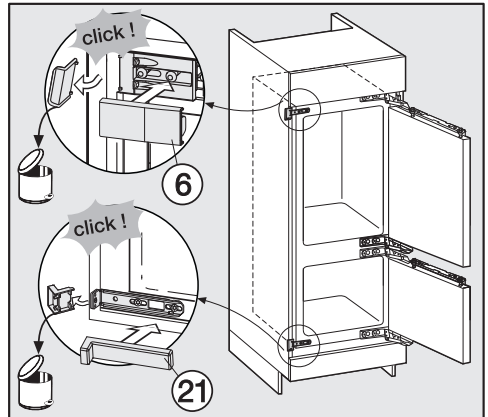
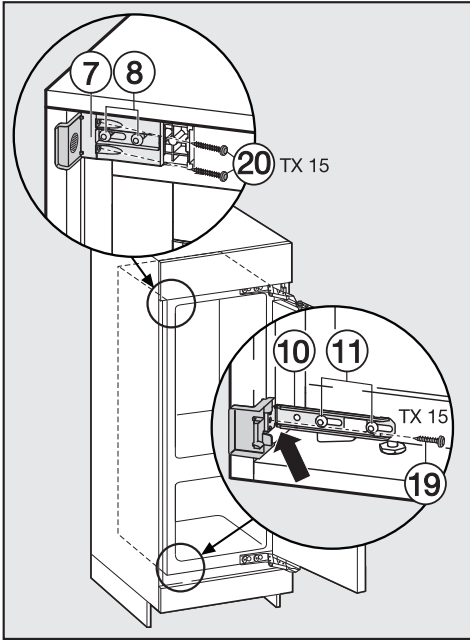
This can cause ice to build up, condensate to accumulate and lead to faults in the appliance. These can all lead to increased energy consumption.

Securing the appliance in the niche



- Press the appliance against the side of the housing unit on the hinge side.
- Screw chipboard screws ⑰ through the hinge plates at the top, bottom and then the middle to secure the appliance to the housing unit.

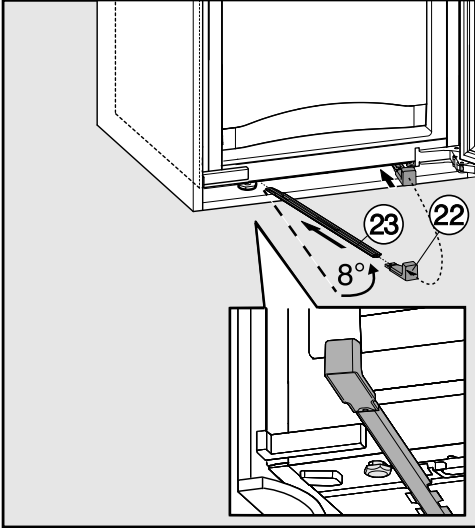
Installing the appliance



- Push the loose bracket against the furniture wall.
- Secure fixing bracket ⑩ to the housing unit side wall with screw ⑲. Drill holes in the housing unit side walls if necessary.
- Secure fixing bracket ⑦ to the housing unit side walls using screws ⑳. Drill holes in the housing unit side walls if necessary.
Important: Push the protruding bracket using your thumb towards the housing unit wall whilst tightening the screws. The appliance must not pull back into the unit.
- Re-tighten screws ⑧ and ⑪.

- Snap off any protruding ends from the fixing bracket. They are no longer required.
- Replace covers ⑥ and ⑳ on the fixing brackets.

For additional stability of the appliance in the unit, push the rods supplied in underneath the appliance between it and the floor of the housing unit:



- Then secure handle ②② to one of the rods ②③.
- Use the handle to push the rod into the guide as far as it will go. Remove the handle and fit it to the other rod and push this into its guide as far as it will go.
Important. Keep the handle somewhere safe in case you ever need to fit the appliance into a new housing unit.
- Close the appliance doors.

Fitting the furniture doors

The furniture door must be at least 16 mm thick and not exceed 19 mm thick.

The following gap dimensions must be maintained:

- The gap between the furniture door and the unit door above must be at least 3 mm.
- The vertical gap between furniture doors should also be about 3 mm. The exact dimension will vary depending on the radius of the furniture door edges.

If fitted in a run of units make sure that the top edge of the furniture door is at the same height as neighbouring unit doors.

The furniture door must be fitted correctly and not under tension.

Installing the appliance

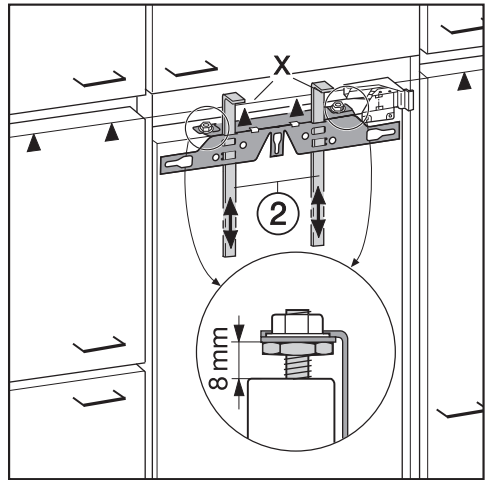
Fitting a door front which is heavier than the maximum permitted could damage the hinges. This can cause subsequent functional problems.

Before fitting furniture doors, ensure that the weight of the door does not exceed the maximum permitted:

Appliance	Upper door in kg	Lower door in kg
KFN 37452 IDE	17	12

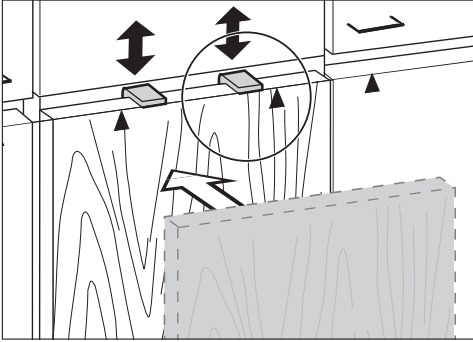
When fitting large or divided furniture doors an extra fitting kit or set of fixing brackets should be used. These are available to order from Miele.

Carry out the following steps on both doors.

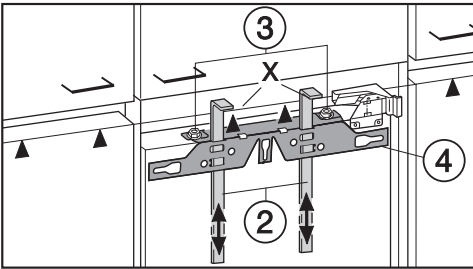


- A gap of 8 mm is set ex-works between the appliance door and the fixing bracket. Double check this gap and reset it if necessary.
- Push fitting aids ② up to the height of the furniture door: the lower edge X of the fitting aids must be at the same height as the upper edge of the furniture door being fitted (see ▲ on the diagram).

Installing the appliance

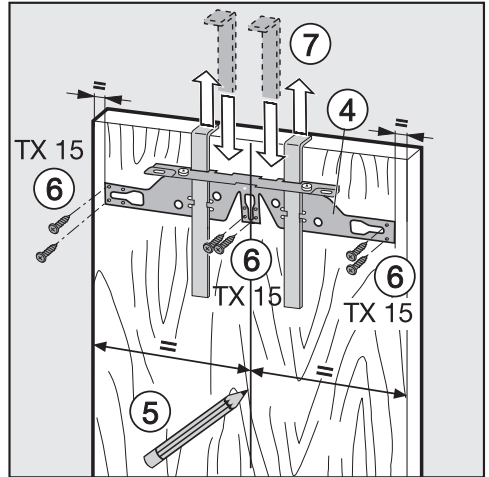


Tip: Push fitting aids ② together with the furniture front up to the height of the adjoining unit furniture doors.



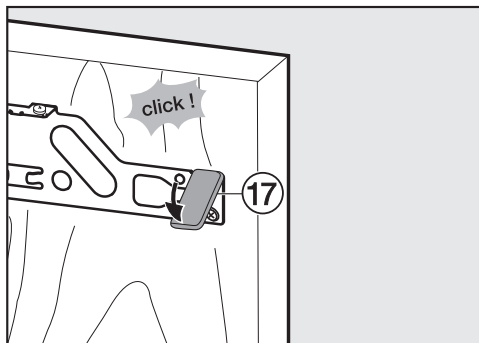
- Undo nuts ③ and take fixing bracket ④ off together with fitting aids ②.

- Place the furniture door with the outer side downwards on a stable surface.



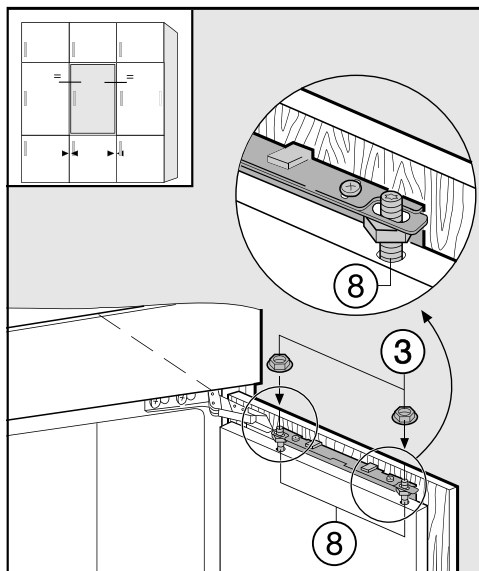
- Using a pencil, lightly mark a line down the centre of the inside of the furniture door ⑤.
- Hang fixing bracket ④ with the fitting aids onto the **inside** of the furniture door. Align the fixing bracket centrally.
- Attach the fixing bracket securely using at least 6 short chipboard screws ⑥. (On cassette doors only use 4 screws on the edges). Drill holes in the furniture door if necessary.
- Pull the fitting aids upwards to remove them ⑦.
Turn them around and fit them into the middle slots on the fixing bracket for safe keeping.

Installing the appliance



- Fit side cover ⑰ to the fixing bracket on the opposite side of the hinge.
- Turn the furniture door over and attach the handle (if required).

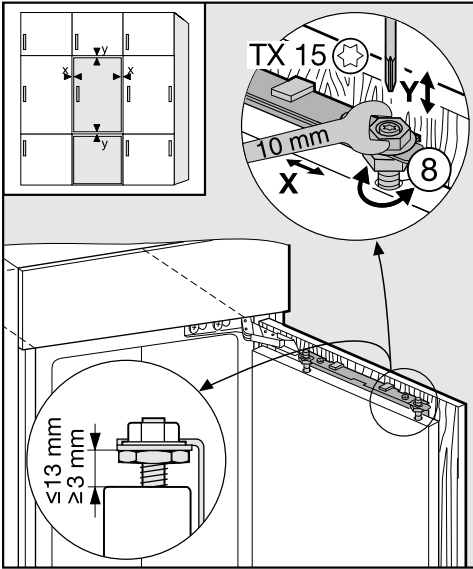
- Open the appliance door.



- Hang the furniture door onto adjusting bolts ⑧.
- Loosely attach nuts ③ on the adjusting bolts.
- Close the door and check the distance between the door and neighbouring furniture doors. The gaps should be even.

Installing the appliance

Aligning the door



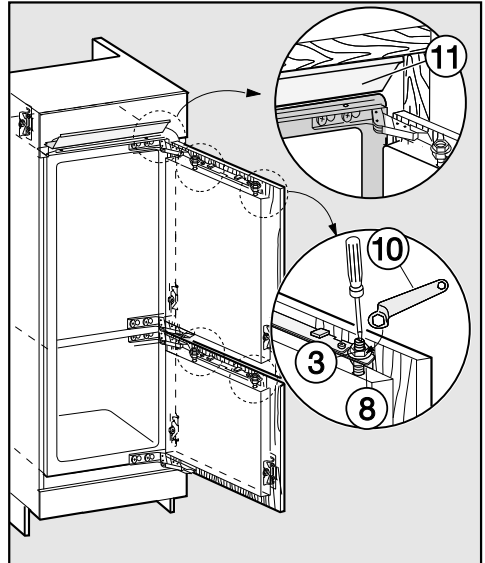
- Side adjustments (X)

- Slide the furniture door.

- Height adjustment (Y)

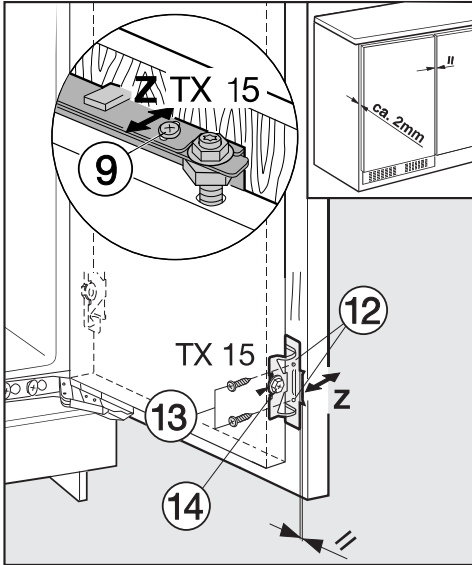
- Use a screwdriver to adjust bolts (8).

A gap of 8 mm is set ex-works between the appliance door and the fixing bracket. This must only be adjusted within its permitted range.



- Whilst counterholding adjusting bolts (8) with a screwdriver, tighten nuts (3) on the appliance door with ring spanner (10).
- Cover strip (11) must be completely hidden in the niche, and must not protrude.

Installing the appliance



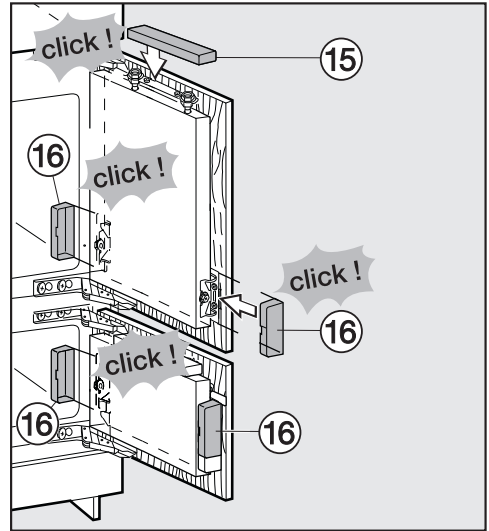
■ Drill holes ⑫ in the furniture door and fit screws ⑬. Make sure the two metal edges are aligned (Symbol //).

■ Close the appliance door and the furniture door.

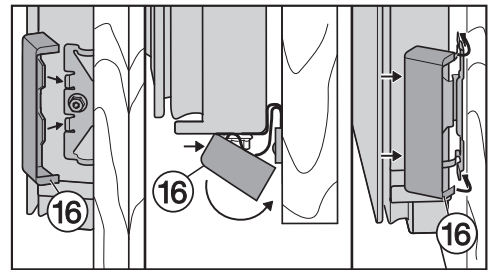
- Depth adjustment (Z)

■ Loosen screws ⑨ at the top of the appliance door, and screw ⑭ on the fixing bracket at the bottom. By moving the furniture door, create a gap of 2 mm between the furniture door and the housing unit.

■ Tighten all screws again.



■ Replace top cover ⑮, and click it into place.



■ Replace side covers ⑯, making sure you hear them click into place.

To make sure the appliance is correctly fitted:

- The doors must close properly.
- The door must not touch the housing unit.
- The seal at the top edge of the handle side must fit properly.
- To double check place a torch in the appliance and close the door. Turn the lights out in the room. If you can see any light shining out from the sides double check the installation.

United Kingdom

Miele Co. Ltd.
Fairacres, Marcham Road
Abingdon, Oxon, OX14 1TW
Customer Contact Centre Tel: 0330 160 6600
E-mail: mielecare@miele.co.uk
Internet: www.miele.co.uk

Australia

Miele Australia Pty. Ltd.
ACN 005 635 398
ABN 96 005 635 398
1 Gilbert Park Drive, Knoxfield, VIC 3180
Tel: 1300 464 353
Internet: www.miele.com.au

China

Miele (Shanghai) Trading Ltd.
1-3 Floor, No. 82 Shi Men Yi Road
Jing' an District
200040 Shanghai, PRC
Tel: +86 21 6157 3500, Fax: +86 21 6157 3511
E-mail: info@miele.cn, Internet: www.miele.cn

Miele (Hong Kong) Limited

41/F - 4101, Manhattan Place
23 Wang Tai Road
Kowloon Bay, Hong Kong
Tel: (852) 2610 1025, Fax: (852) 3579 1404
Email: customerservices@miele.com.hk
Website: www.miele.hk

India

Miele India Pvt. Ltd.
Ground Floor, Copia Corporate Suites
Plot No. 9, Jasola, New Delhi - 110025
Tel: 011-46 900 000, Fax: 011-46 900 001
E-mail: customercare@miele.in, Internet: www.miele.in

Ireland

Miele Ireland Ltd.
2024 Bianconi Avenue
Citywest Business Campus, Dublin 24
Tel: (01) 461 07 10, Fax: (01) 461 07 97
E-Mail: info@miele.ie, Internet: www.miele.ie

Manufacturer: Miele & Cie. KG

Carl-Miele-Straße 29, 33332 Gütersloh, Germany

Miele

Malaysia

Miele Sdn Bhd
Suite 12-2, Level 12
Menara Sapura Kencana Petroleum
Solaris Dutamas No. 1, Jalan Dutamas 1
50480 Kuala Lumpur, Malaysia
Phone: +603-6209-0288
Fax: +603-6205-3768

New Zealand

Miele New Zealand Limited
IRD 98 463 631
Level 2, 10 College Hill
Freemans Bay, Auckland 1011, NZ
Tel: 0800 464 353
Internet: www.miele.co.nz

Singapore

Miele Pte. Ltd.
163 Penang Road
04 - 03 Winsland House II
Singapore 238463
Tel: +65 6735 1191, Fax: +65 6735 1161
E-Mail: info@miele.com.sg
Internet: www.miele.sg

South Africa

Miele (Pty) Ltd
63 Peter Place, Bryanston 2194
P.O. Box 69434, Bryanston 2021
Tel: (011) 875 9000, Fax: (011) 875 9035
E-mail: info@miele.co.za
Internet: www.miele.co.za

United Arab Emirates

Miele Appliances Ltd.
Gold & Diamond Park
Office No. 217-6, Sheikh Zayed Road
P.O. Box 11 47 82 - Dubai
Tel: +971 4 3044 999
Fax: +971 4 3418 852
800-MIELE (64353)
E-Mail: info@miele.ae
Internet: www.miele.ae

KFN 37452 iDE



en-GB

M.-Nr. 09 941 010 / 03